

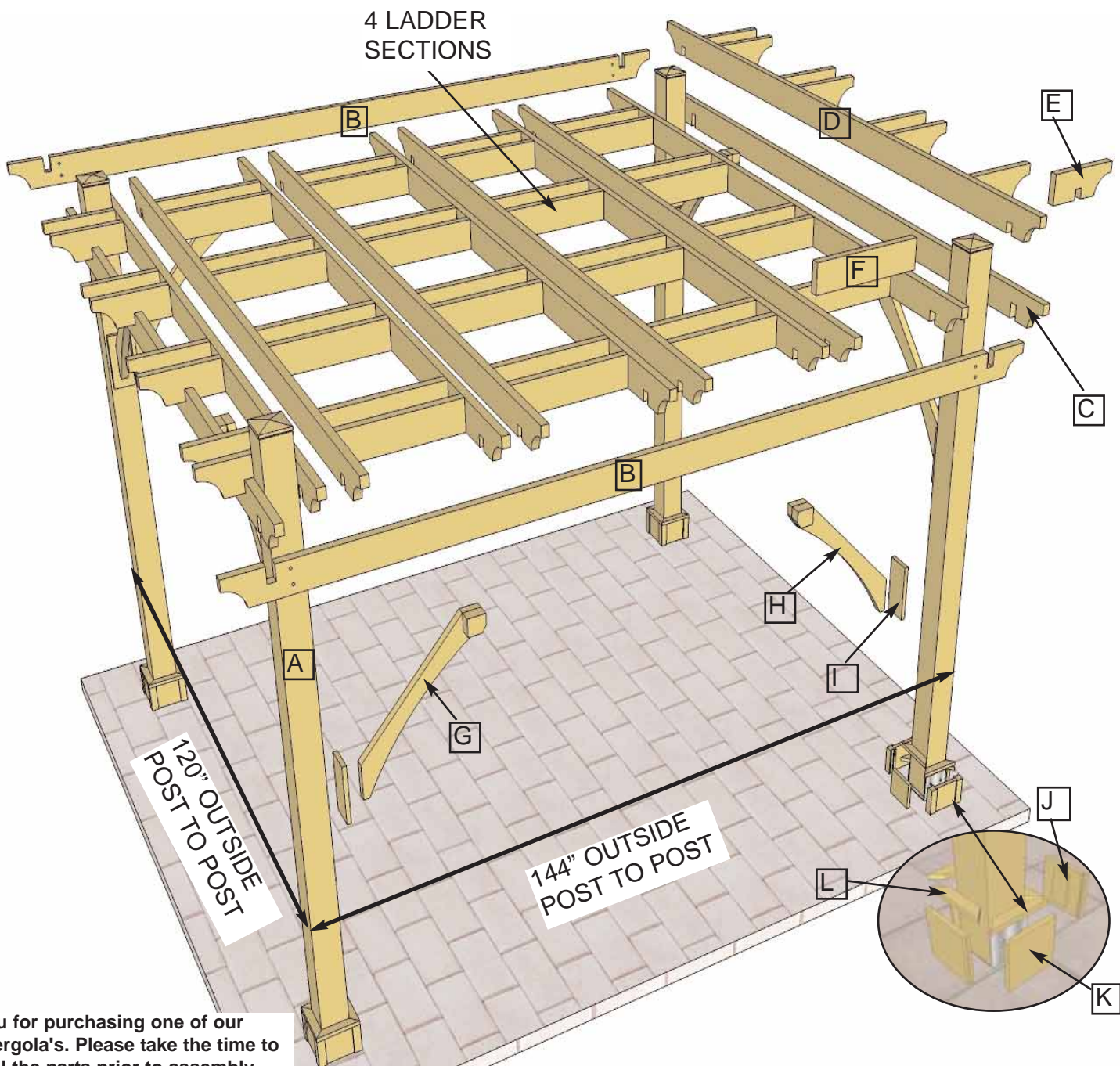
Note: Post Mounting Hardware is **NOT** included in this kit. Please confirm with your local building permit office to determine the correct hardware in your area.

If you plan to paint or stain your Pergola before assembly, be sure to scribe or mark the top edge of Joist where Stub Joists and Ladder Blockings are pre-marked. Painting or staining may cover up markings making it more difficult to align components later.

Customers agree to hold Outdoor Living Today and any Authorized Dealers free of any liability for improper installation, maintenance and repair of any Outdoor Living Today products.

In the event of a missing or broken piece, simply call the Outdoor Living Today Customer Support Line @ 1-888-658-1658 within 30 days of the delivery of your purchase. It is our commitment to you to courier replacement parts, free of charge, within 10 business days of this notification. Replacement parts will not be provided free of charge after the 30 day grace period.

10X12 BREEZE PERGOLA



Thank you for purchasing one of our Breeze Pergola's. Please take the time to identify all the parts prior to assembly.

Parts Lists:

	Thickness	Width	Length	Qty.
A - Posts	5 3/8"	5 3/8"	108"	4
B - Girder (deep notch on top)	1 1/2"	5 1/2"	162"	2
C - Girder (deep notch on bottom)	1 1/2"	5 1/2"	138"	2
D - Joist (shallow notch on bottom)	1 1/2"	5 1/2"	138"	10
E - Stub Joist	1 1/2"	5 1/2"	14 1/2"	16
F - Ladder Blocking	1 1/2"	5 1/2"	22 5/8"	32
G - Left Corner Brackets	1 1/2"	5 1/2"	34 3/4"	4
H - Right Corner Brackets	1 1/2"	5 1/2"	34 3/4"	4
I - Corner Bracket Post Mount	3/4"	4 1/2"	10 1/2"	8
J - Post Skirtings with Cleat	1 1/8"	7 3/8"	7"	8
K - Post Skirtings	11/16"	7 3/8"	7"	8
L - Post Skirting Caps	11/16"	8 3/8"	1 1/2"	16

Specifications:

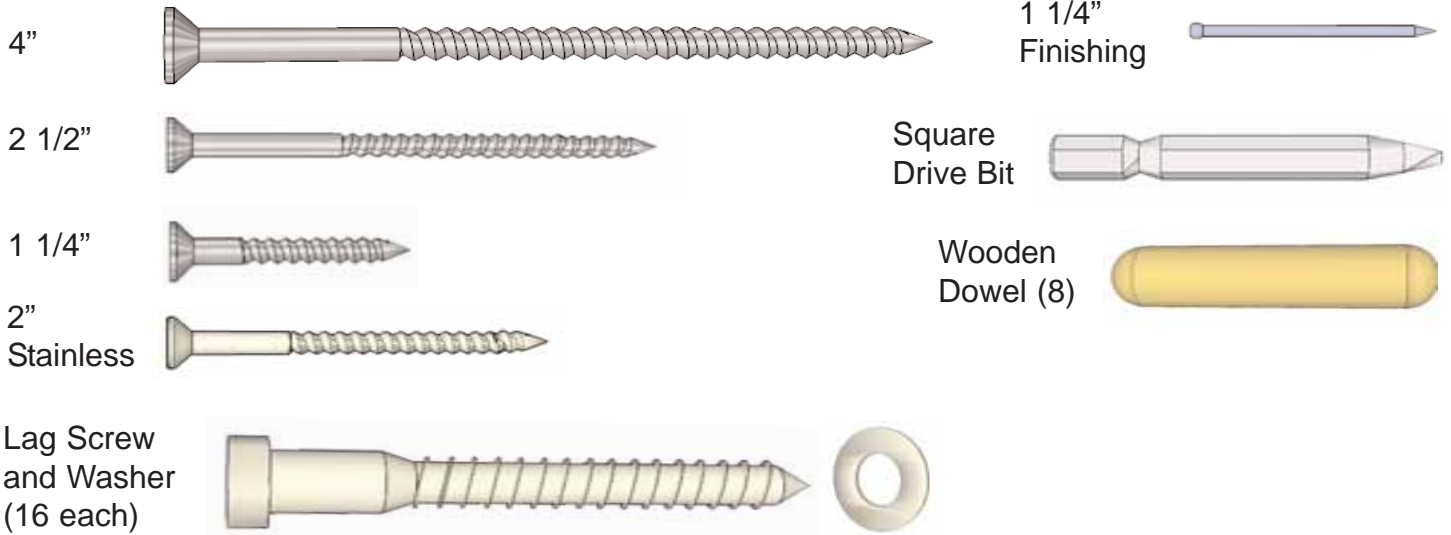
Wood Species - Western Red Cedar
 Grade - Architectural Knotty or Better
 Posts - Laminated Western Red Cedar
 Lag Screws and Washers - Zinc Plated
 4" & 2 1/2" Screws - Yellow Zinc
 2" Screws - Stainless Steel
 1 1/4" Finishing Nails - Stainless Steel

Overall Outside Dimensions:
 138" x 162" x 108" high
 Height (Ground to Bottom of Girder)
 95 1/2"
 Post Mounts - Not Included with Kit
 Recommended Post Mount
 Simpson Strong Tie - ABU66

10x12 BREEZE PERGOLA HARDWARE PACKAGE

Hardware Kit (Provided)

Note: screws and nails shown actual size.



Tools Required (Not Provided)



Safety Equipment Required (Not Provided)



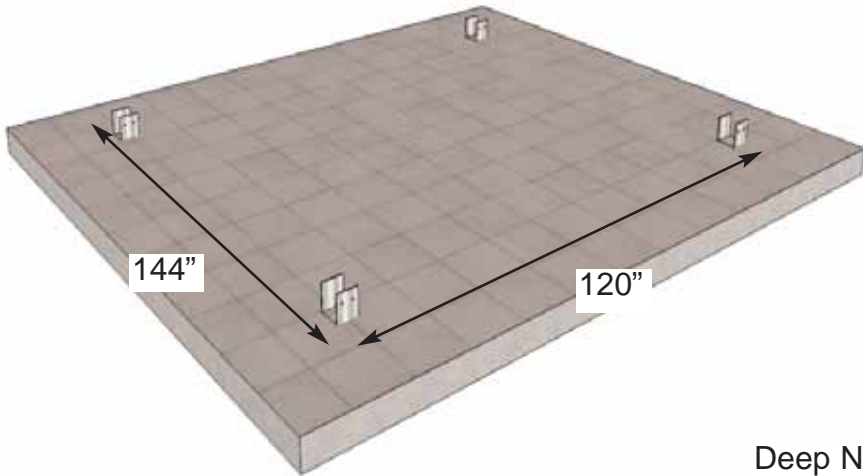
Important - Western Red Cedar Lumber and Timbers will have surface splitting that occurs as lumber seasons and dries to the moisture content in your area. Splitting or “checking”, as it is referred to, can be 1/8” to 1/4” wide and can run several feet. This does not diminish the structural integrity of the material in any way.

Laying out your Footprint

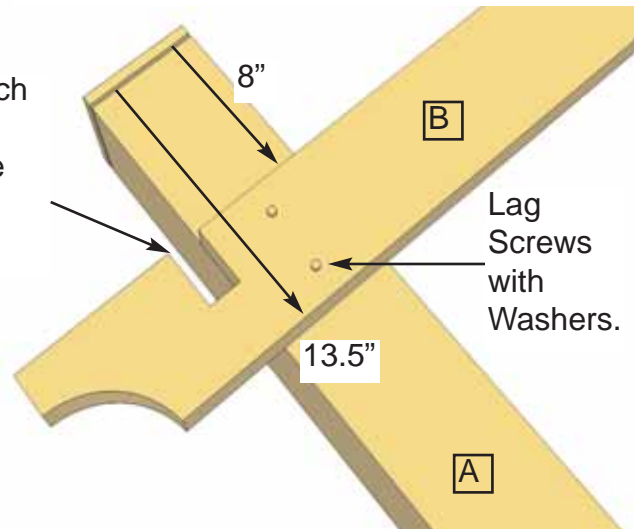
To determine the proper placement of your 5 3/8” x 5 3/8” Posts, see the exploded view on **Page 2** to find the measurements and to determine their correct positions. Outside Post to Post measurements for the 10’x12’ Breeze are: 144” x 120”.

Take diagonal measurements to check your layout for square.

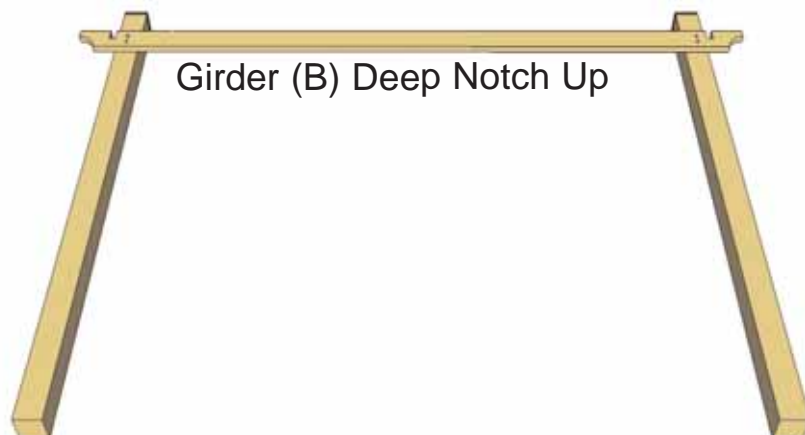
We recommend that you fix Posts to ground using Steel Post Bases or Saddle Brackets fixed on cement footing. If attaching Posts to pre-existing deck, we recommend that you purchase Post / Deck Mounting Brackets. In both cases, Post Mounting hardware can be found at most Hardware Stores.



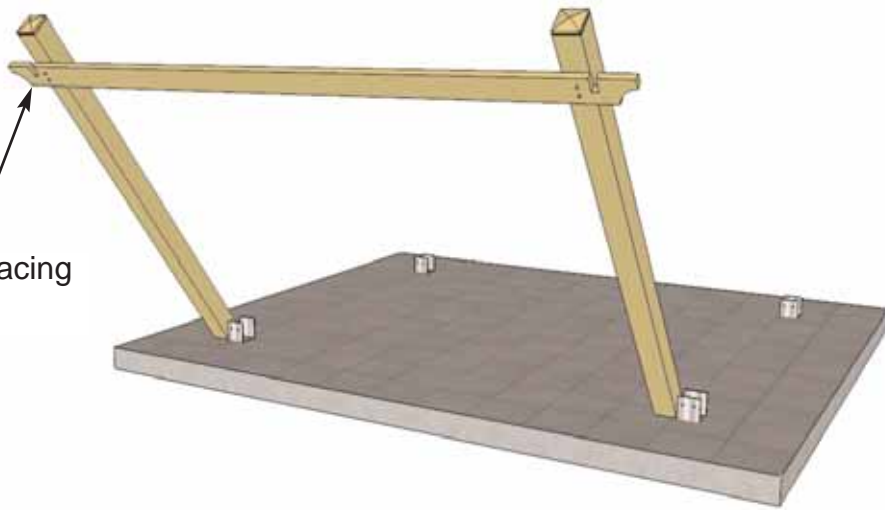
Deep Notch facing up and inside flush with post.



1. On flat level ground, Lag screw the **Girder with Deep Notch on top (B)** to two **Posts (A)** approximately 8” from top of Post. Complete 2 sets of Girder/Post Assembly's. **Note; Pilot hole Post first with 1/4” drill bit.**



Girder facing out.

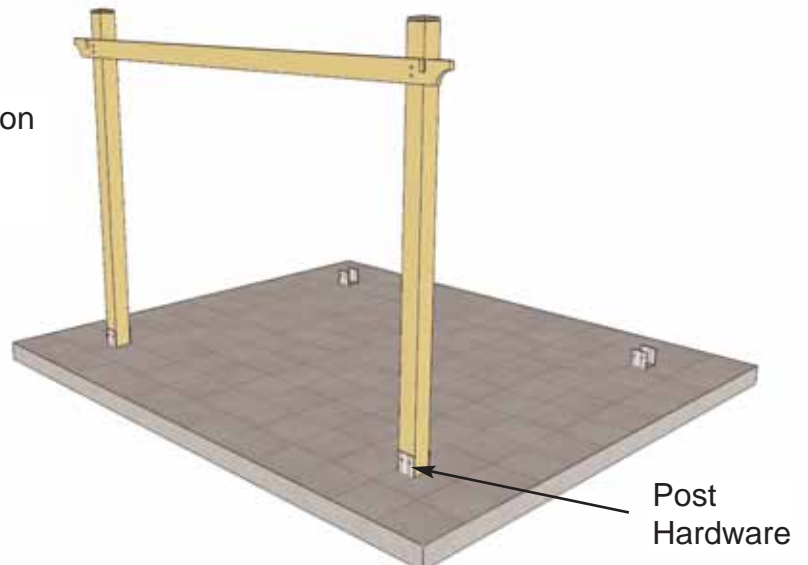
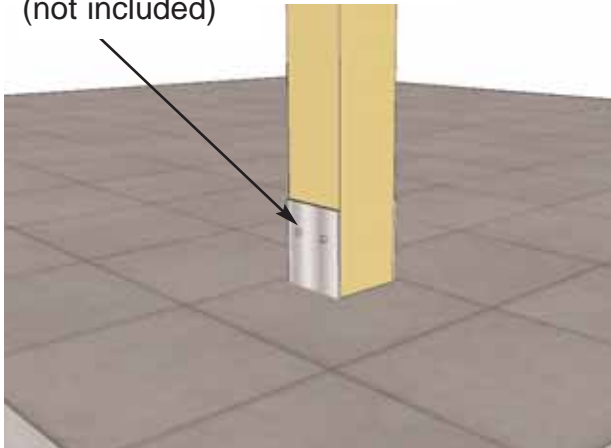


Important- You will require the assistance of 2 helpers to support the posts up to **Step 7.**

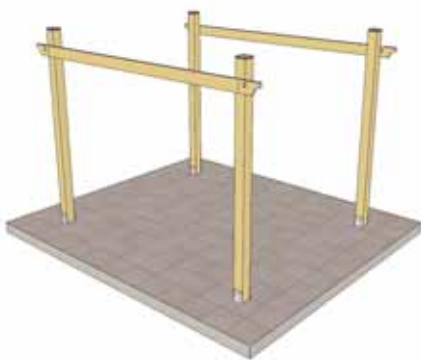
2. Lift up a completed Post/Girder Assembly slowly and carefully. Make sure Girder is facing outward.

3. If Post Mount Hardware is installed, position bottom of Posts in Hardware.

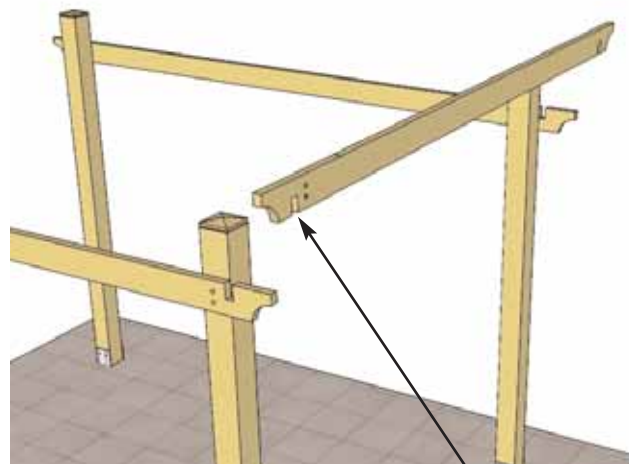
Lag Screws
(not included)



4. Secure Post to Post Hardware with appropriate hardware such as lag bolts or a sufficient number of screws. **(Hardware Not Supplied)**



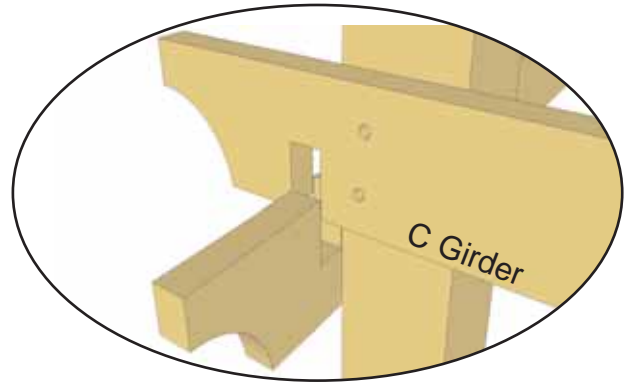
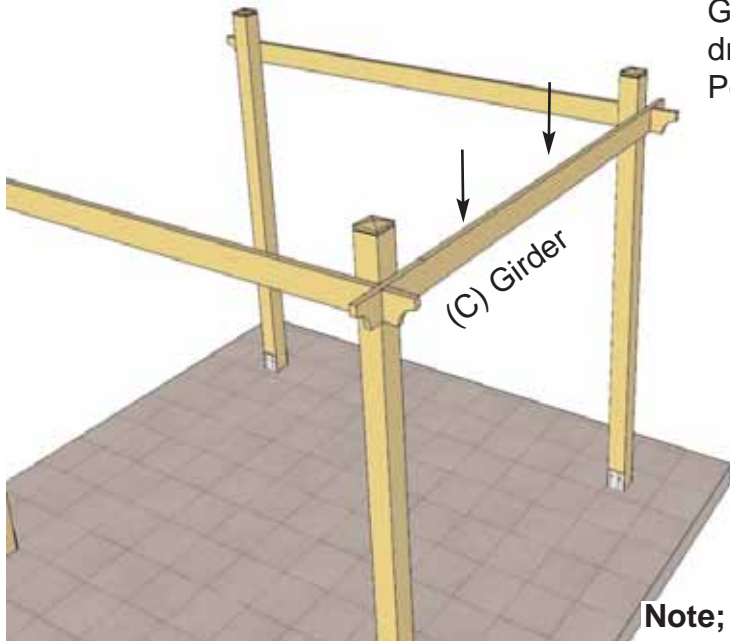
Lift, position and attach the second Post/Girder Assembly to Post Hardware.



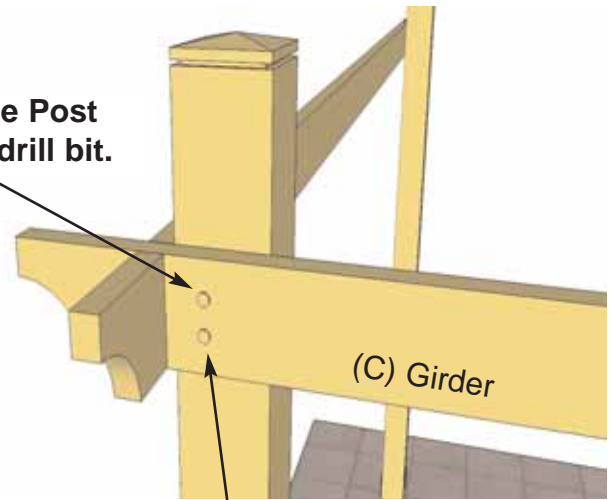
5. Locate **Girder with Deep Notch on Bottom (C)** and lift up between both completed Post/Girder Assembly's.

Deep Notch facing down.

6. Carefully lower (C) Girder down into notch of (B) Girders. Be careful not to twist the Girder when dropping down into place. Lag Screw Girder to Post. Pilot hole first.

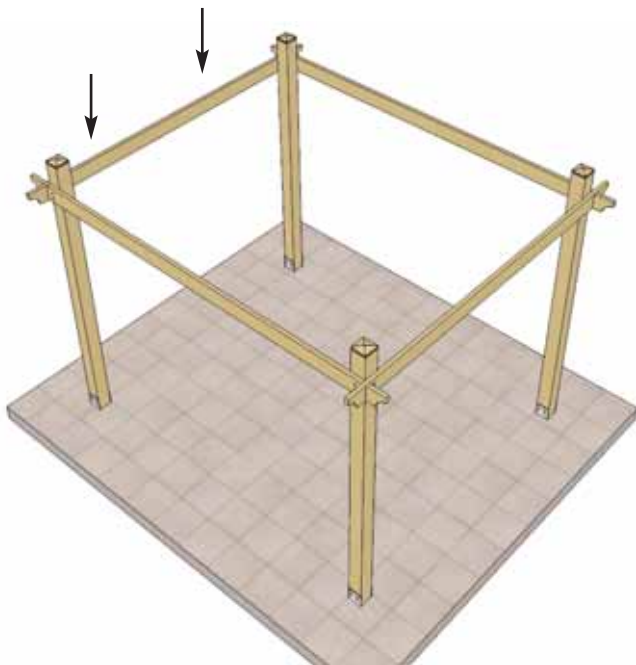


Note; Pilot hole Post first with 1/4" drill bit.



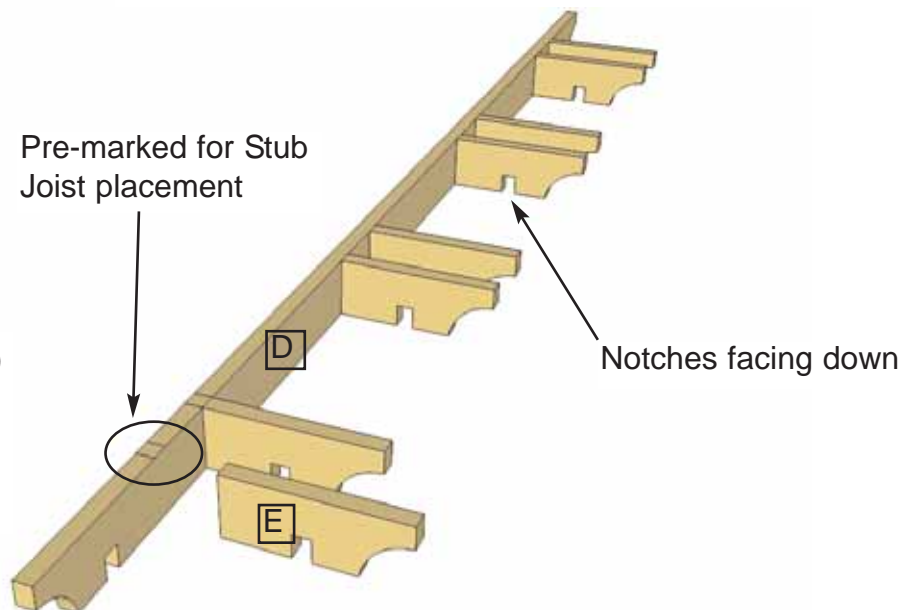
Use 2 Washers and Lag Screws.

7. Lift, position and Lag Screw the second (C) Girder to Posts.

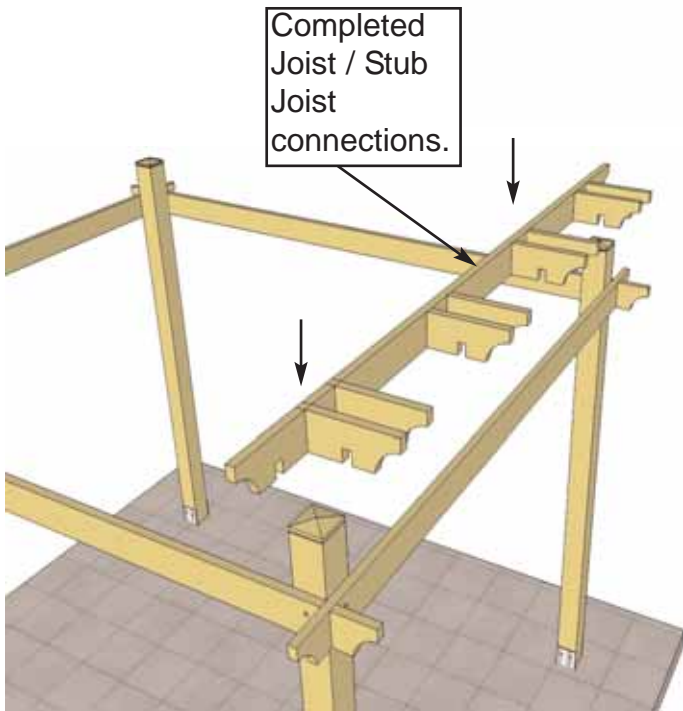
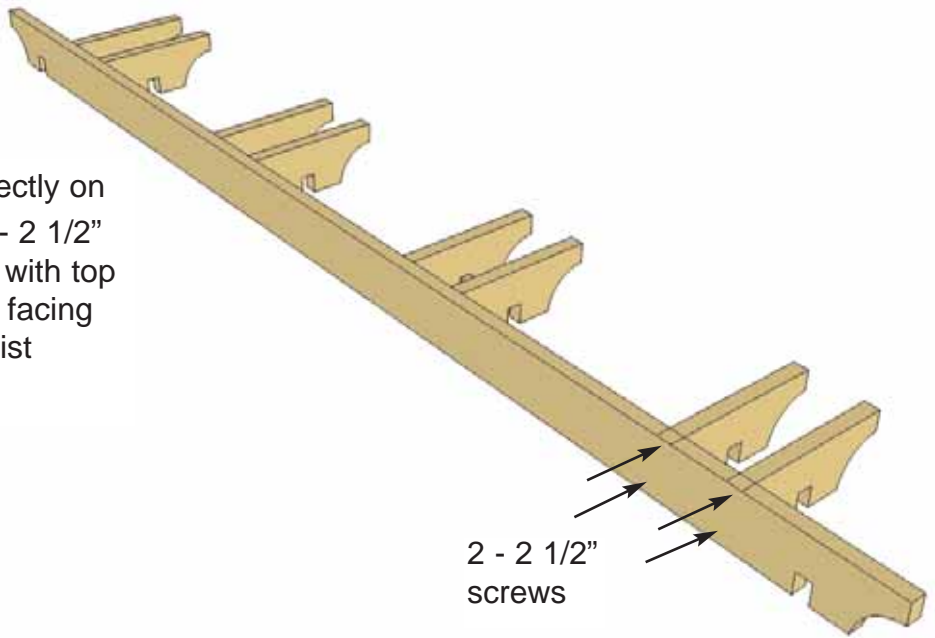


Pre-marked for Stub Joist placement

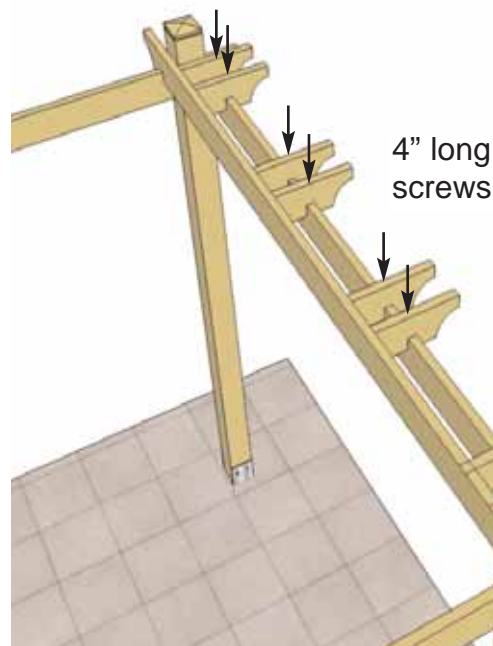
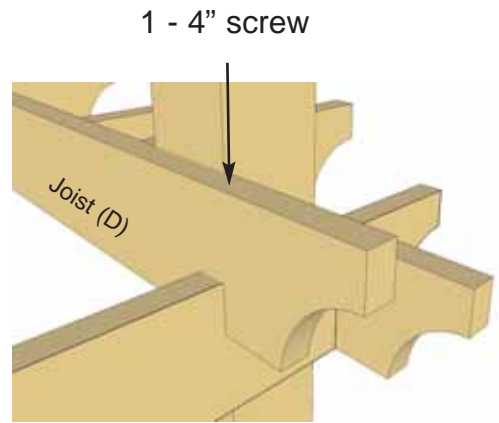
8. On level ground, position 1 Joist (D) and 8 Stub Joists (E). Joists are pre-marked on top edge for Stub Joist and Blocking positioning.



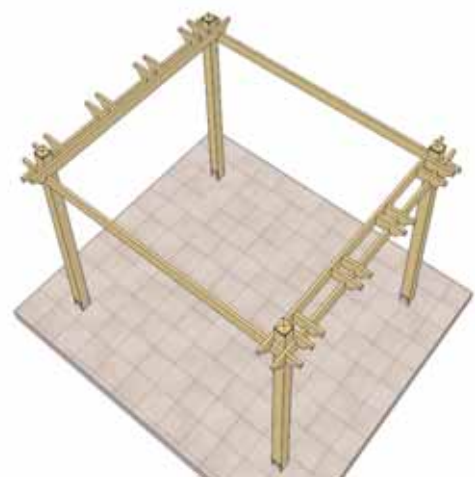
9. With Stub Joists positioned correctly on Joist, attach each Stub Joist with 2 - 2 1/2" screws. Stub Joists should be flush with top and bottom of Joist with all notches facing down. There are two Joist / Stub Joist Assembly's, complete both now.



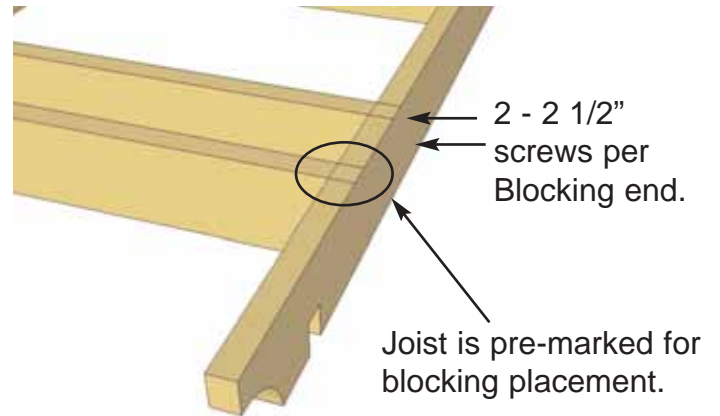
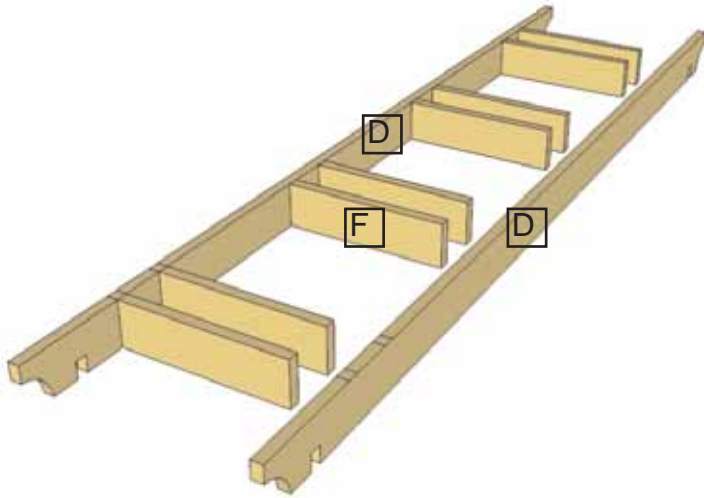
10. Carefully lift up completed Joist / Stub Joist Assembly and fit notches onto Girder.



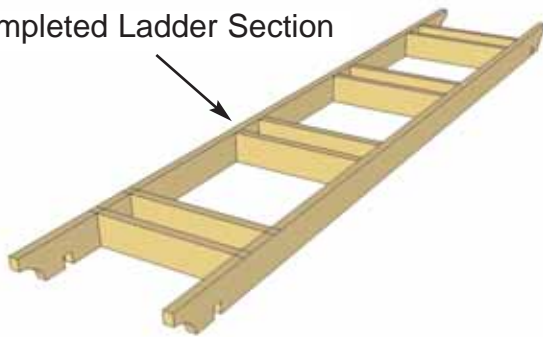
11. Attach all Stub Joists and Joist to Girder with 1 - 4" screw per piece. Complete both Assembly's
Note: Drill pilot holes in Joists and Stub Joists to make it easier to screw in 4" screws.



12. On a flat surface, position **Ladder Blocking (F)** where marked on top edge of Joist (D) and screw with 2 - 2 1/2" screws per end. Ladder Blocking should be flush with top and bottom of Joist with all notches facing down.

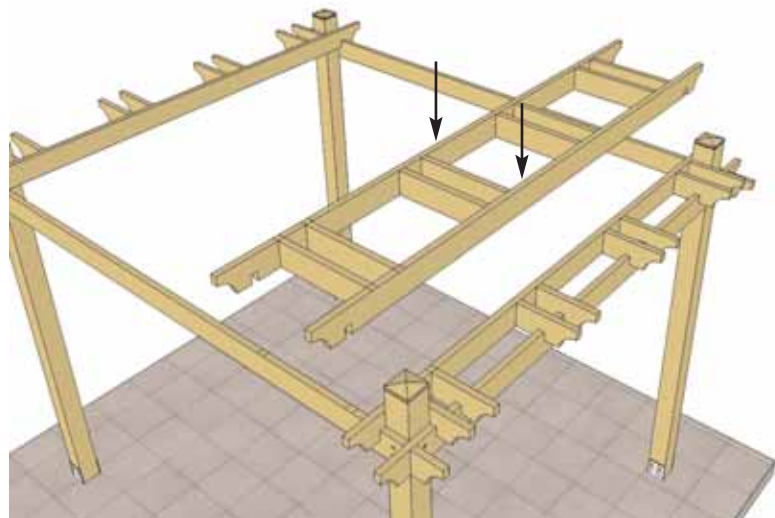


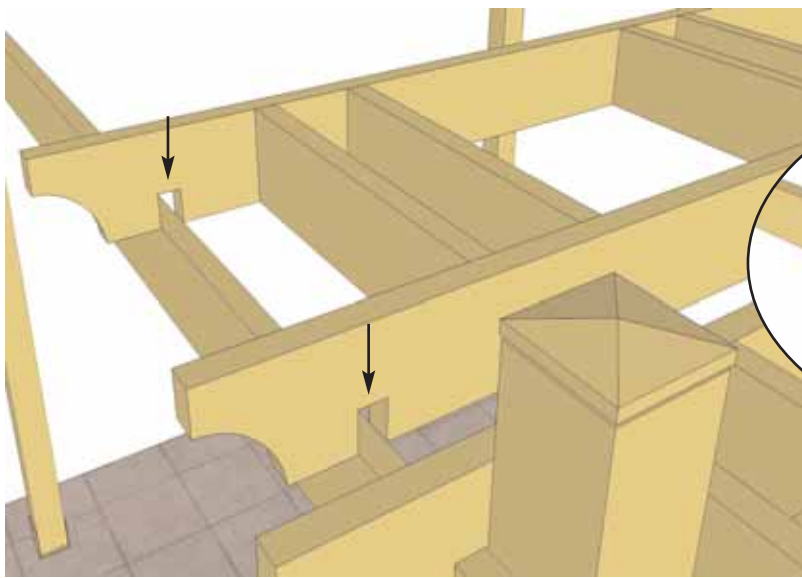
Completed Ladder Section



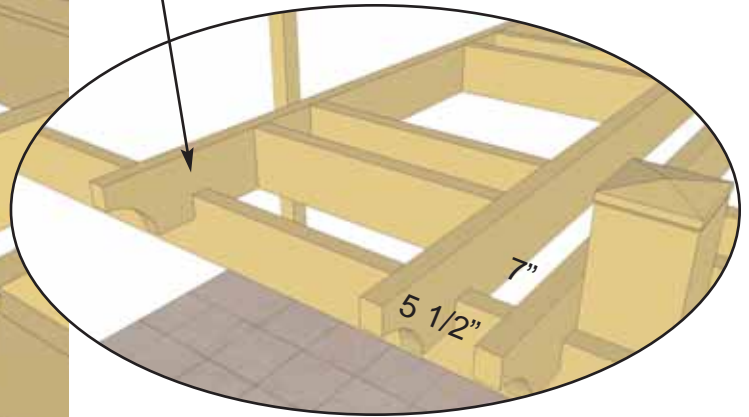
13. Complete all four Ladder Sections on the ground prior to moving to **Step 14.**

14. Carefully lift up one of the Ladder Sections between Girders. **You will require a helper to assist in lifting Ladder Sections.**

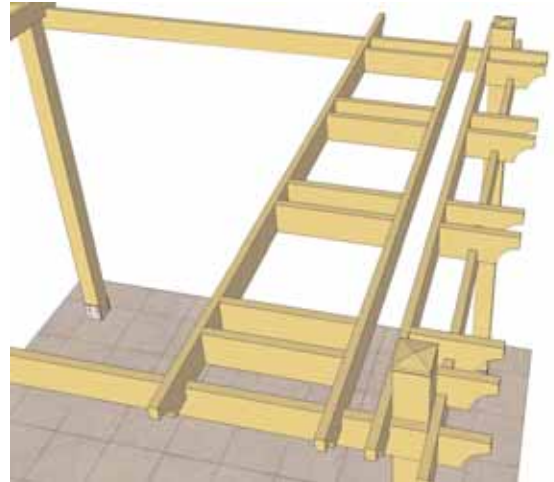




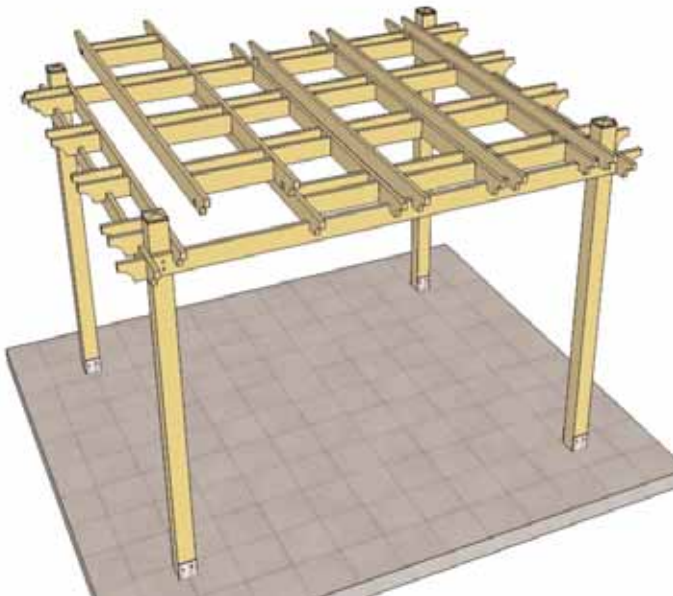
Notch slides onto Girder



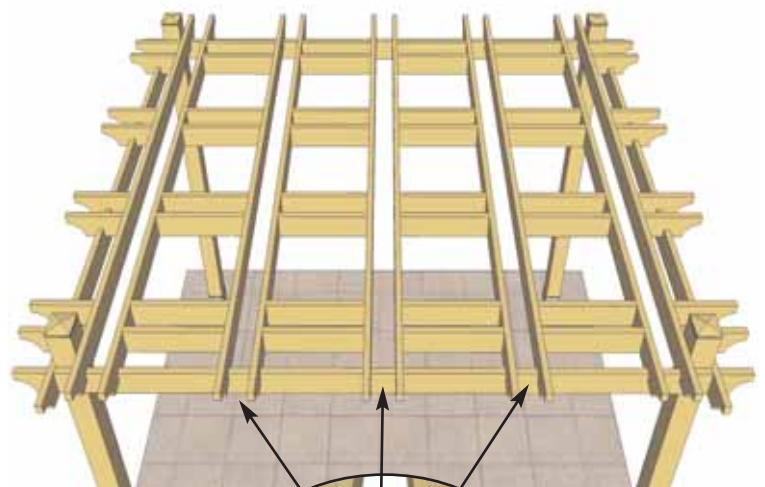
15. Carefully slide Joist notches of Ladder Section onto Girder. Try to align notches so they fall into place all at once. With notches of Ladder Section all sitting correctly on Girder, slide Section approximately 7" from Post. Check alignment of opposite end of Ladder Section.



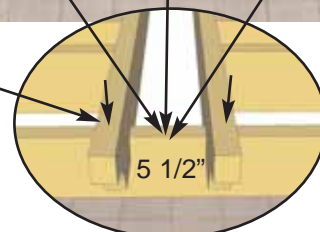
16. Set all remaining Ladder Sections in place on Girder spacing each **approximately 5 1/2"** apart.



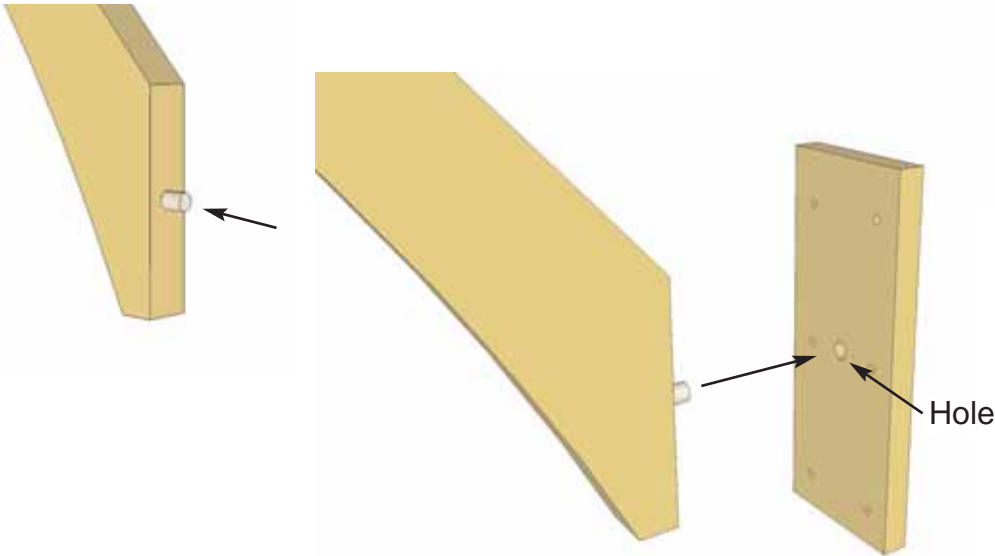
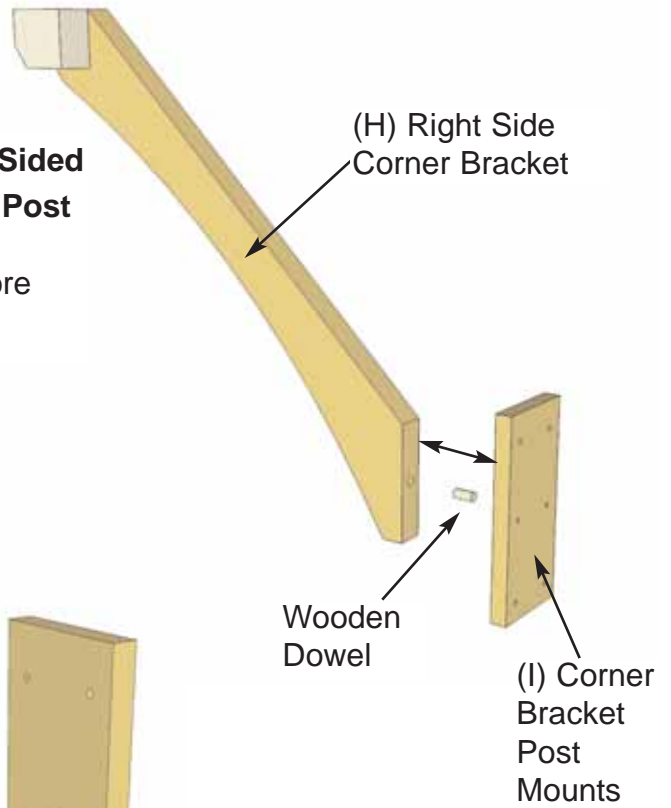
17. With all Ladder Sections in place, check once more for equal spacing. When satisfied with Ladder Section positioning, attach to Girders with 4 - 4" screws per Ladder. Screw from top edge of Joist down into Girder. Pilot hole screws first to help with screwing.



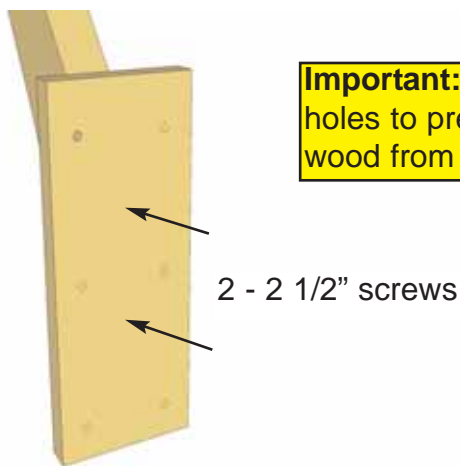
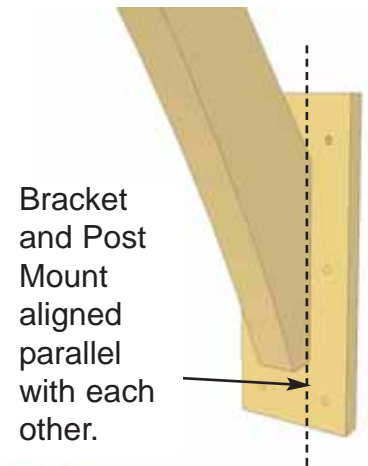
Pilot Hole Joist first and secure with 4" screws/ Ladder Section



18. There are 4 Left (G) and 4 Right Sided Corner Brackets (H). Corner Bracket Post Mounts (I) must be attached to the bottom end of each Corner Bracket before attaching to Posts.

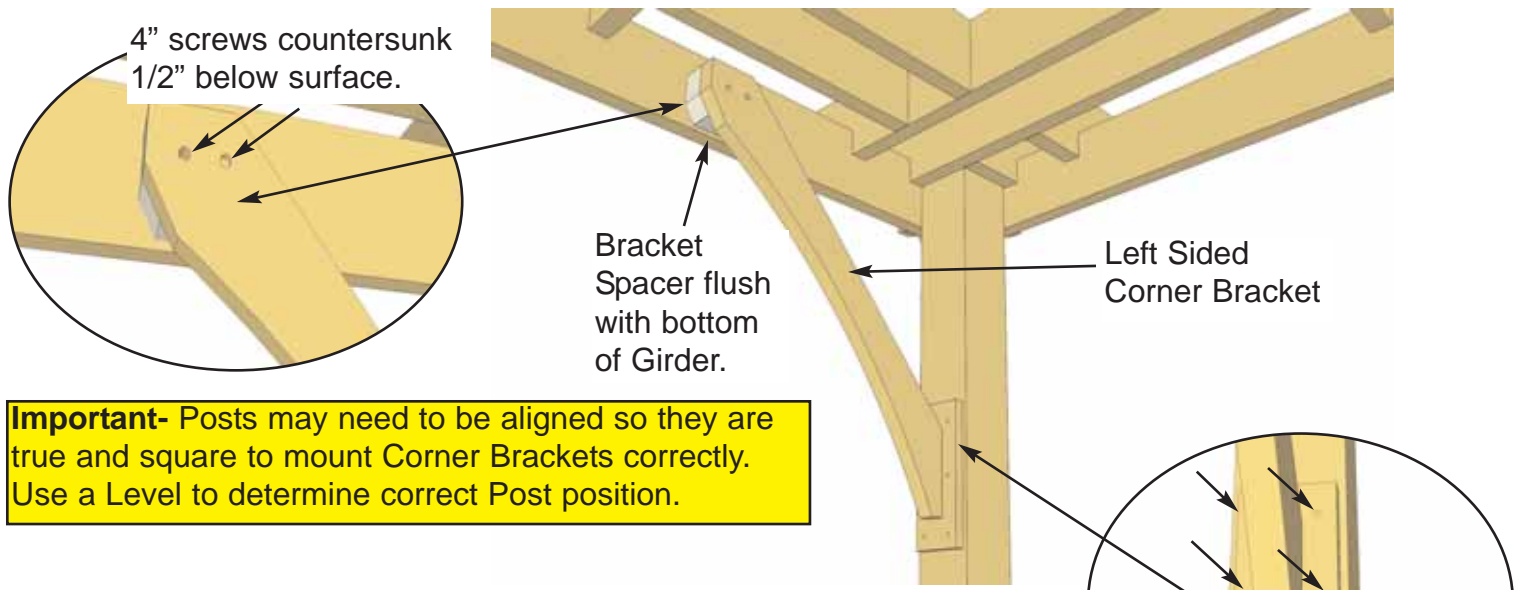


19. To assist you with Bracket and Post Mount alignment, both the end of the Bracket and Post Mount have been drilled for a **Wooden Dowel**. Wooden Dowels are found in the Hardware Kit Bag. Insert a Wooden Dowel in end of Corner Bracket first and then push Post Mount onto Dowel until Bracket and Post Mount are flush together. Align Post Mount parallel with Bracket.



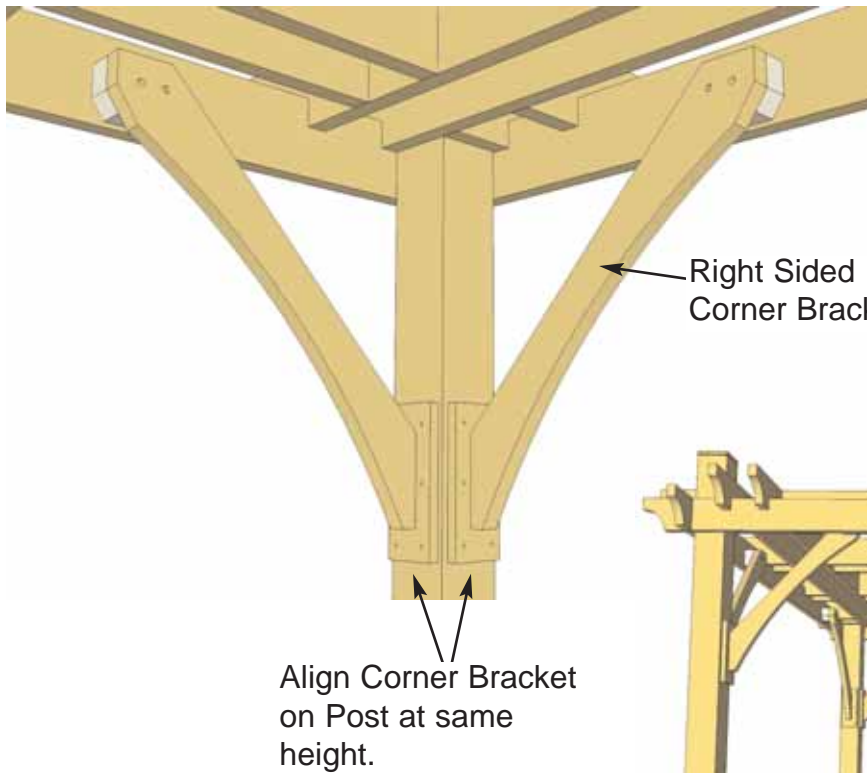
Important:- Drill pilot holes to prevent wood from splitting.

20. With Bracket and Post Mount correctly aligned, screw Post Mount to Bracket with 2 - 2 1/2" screws. **Important- Drill pilot holes in Post Mounts and Bracket to prevent wood from splitting!** Complete all remaining Brackets/Post Mount connections.



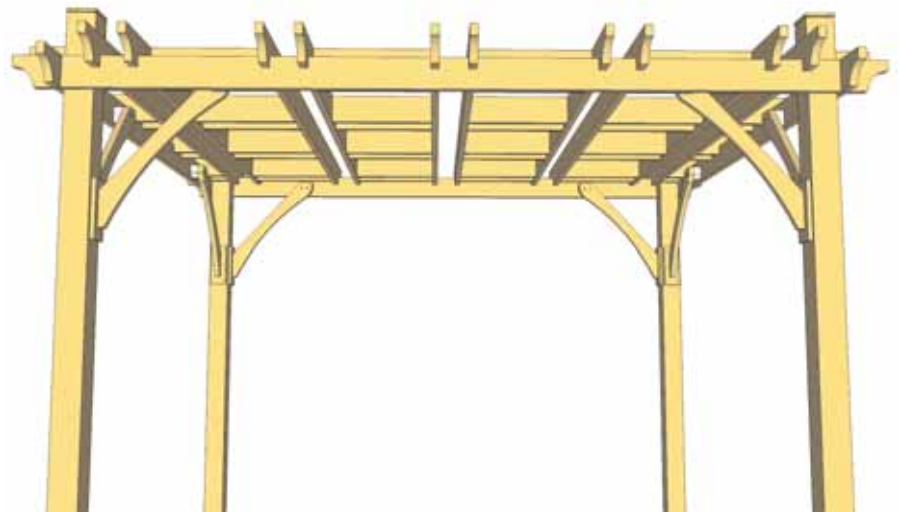
Important- Posts may need to be aligned so they are true and square to mount Corner Brackets correctly. Use a Level to determine correct Post position.

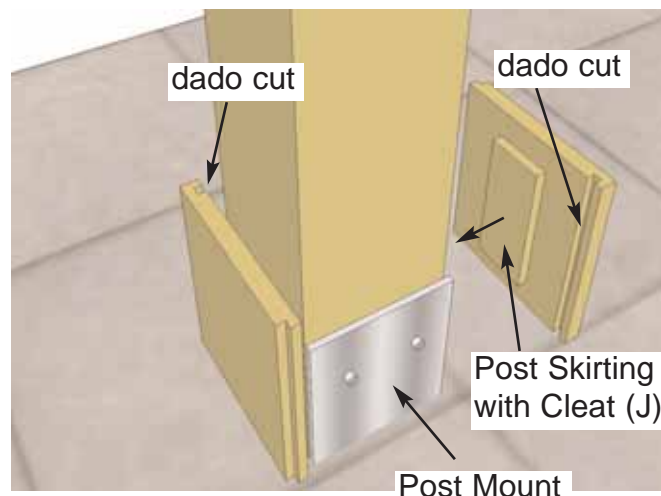
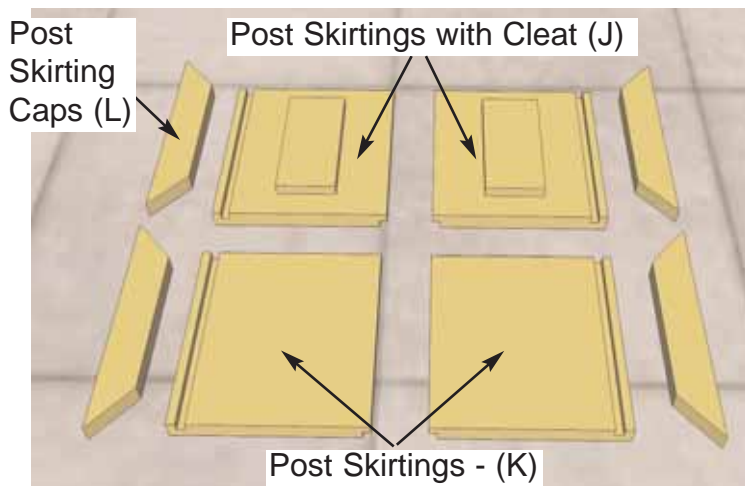
21. Lift completed Left Sided Corner Bracket up and align bottom of Bracket Spacer flush with bottom of Girder. At bottom of Corner Bracket, align Post Mount evenly and tight against Post. When correctly aligned, secure at top with 2 - 4" Screws. To secure Post Mount, use 6 - 2" Stainless Steel Screws. Note, Post Mount and Top of Bracket are pre-drilled.



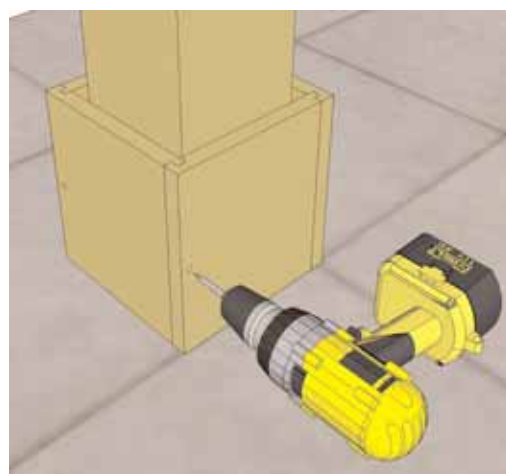
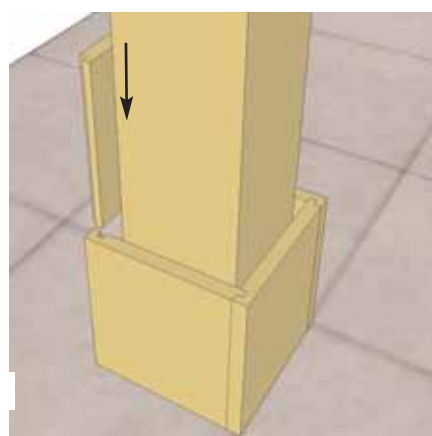
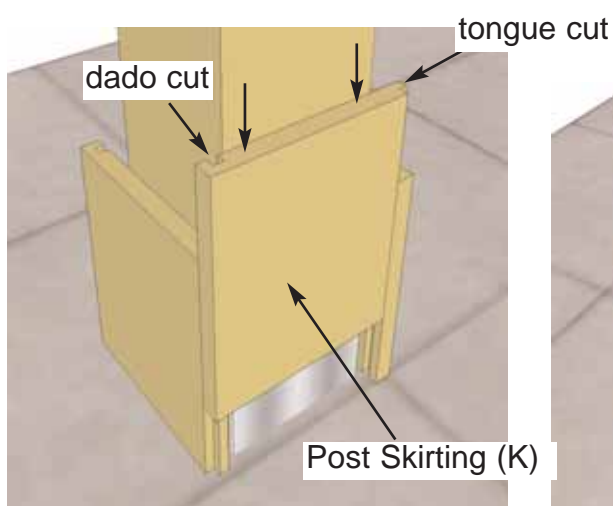
22. Align and attach a Right Sided Corner Bracket on Post as per **Step 21**. Make sure both Brackets are aligned on Post at the same height before attaching.

23. Complete remaining Left and Right Sided Corner Bracket attachments.



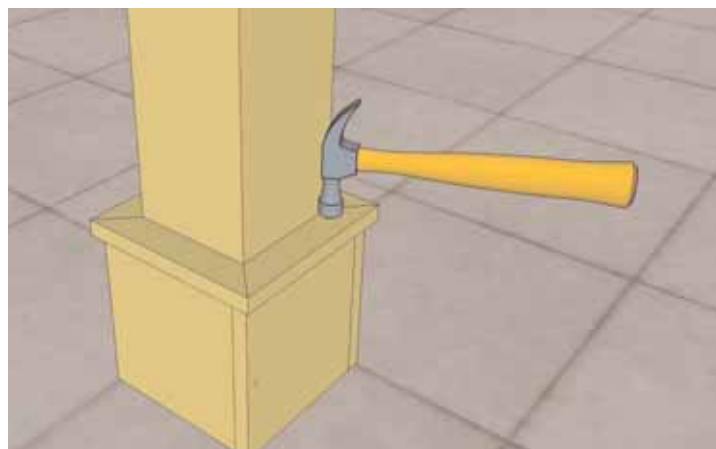
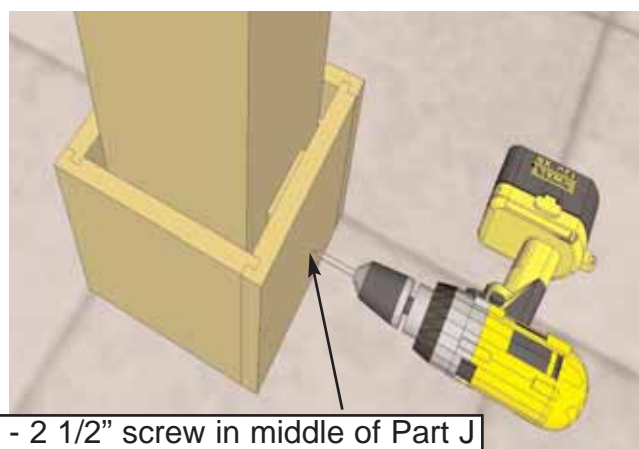


24. To complete your Breeze, position 2 **Post Skirtings with Cleats (J)** on opposite sides of Post with Dado cuts facing to the inside as shown above. Cleat should be aligned tight against Post and not against Post Mount Hardware.



25. Slide the tongue and dado cuts of both **Post Skirtings (K) Pieces** into the adjoining tongue and dado cuts of **Part J**. Align all skirting pieces evenly at top. Carefully secure Post Skirtings together with with 1 - 1 1/4" screw per dado cut side. (1 per side).

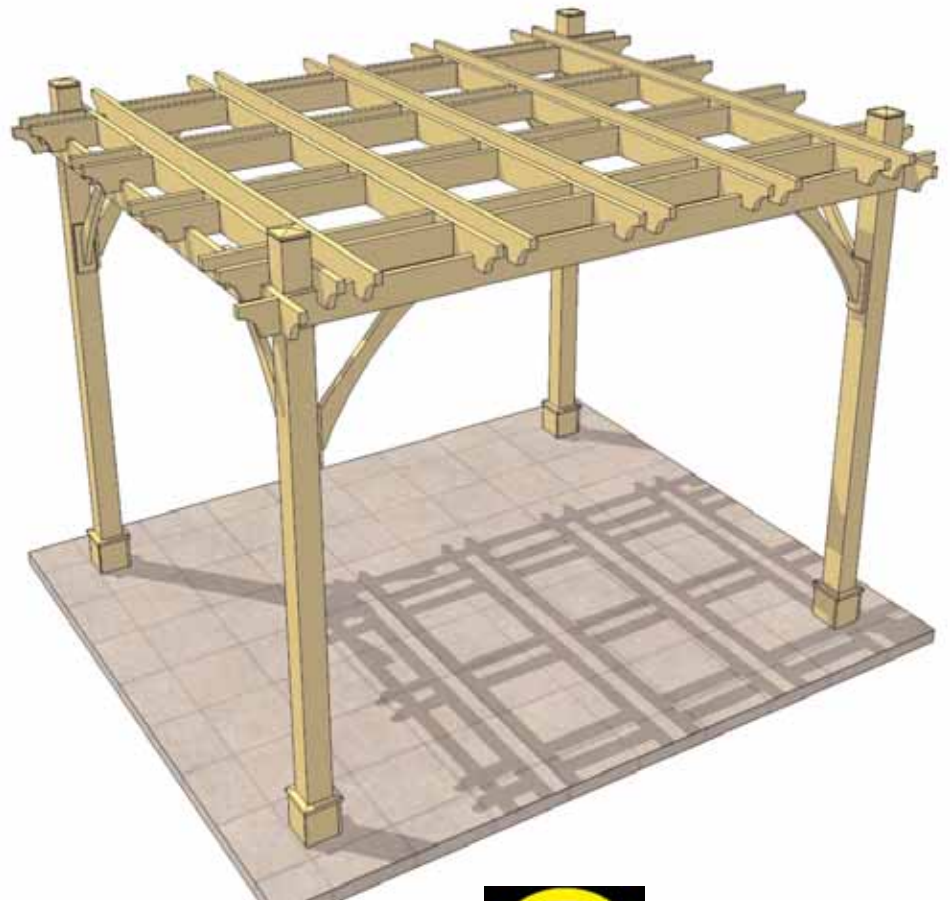
Important - Drill 1/8" pilot hole first to prevent wood from splitting!



26. Secure Skirting Unit to Post by screwing 1 - 2 1/2" screw into each Post Skirting with Cleat (J). Align **Post Skirting Caps (L)** tight against Post and equally from side to side of skirting frame. Nail Cap down into Skirting with 3 - 1 1/4" finishing nails per piece. Complete remaining Post Skirtings.

Congratulations on building your 10x12 Breeze Pergola

Note; Our Pergolas are shipped as an unfinished product. If exposed to the elements, the western red cedar lumber will weather to a silvery-gray color. If you prefer to keep the cedar lumber looking closer to the original color, we suggest that you treat the wood with a good oil base wood stain. You may also wish to paint your new Pergola rather than stain it. In both cases we recommend that you consult with a paint and stain dealer in your area.



We hope your experience assembling your pergola has been both positive and rewarding.

We value your feedback and would like to hear back from you on how well we are doing in the following areas:

- 1. Customer Service**
- 2. On Time Shipping**
- 3. Motor Freight Delivery**
- 4. Quality of Materials**
- 5. Assembly Manual**
- 6. Overall Satisfaction.**

Please call, write or email us at:

Outdoor Living Today Partnership
P.O. Box 96
Sumas, Washington
98295



The materials contained in this Assembly Manual may be downloaded or copied provided that ALL copies retain the copyright and any other proprietary notices contained on the materials. No material may be modified, edited or taken out of context such that its use creates a false or misleading statement or impression as to the positions, statements or actions.