

## Garden Chalet 4X2 Assembly Manual

Thank you for purchasing a 4x2 Garden Chalet. Please take the time to identify all the parts prior to assembly.

Please use Safety Eyewear and Gloves while Assembling. Be sure to read and follow all operating instructions for any tools used during assembly. Remember- NO SAW CUTTING IS REQUIRED!

### Safety Points and Other Considerations

Our products are built for use based on proper installation and normal residential use, on level ground. Please follow the instruction manual when building your Grand Garden Chalet and retain the manual for future maintenance purposes.

Some of the safety and usage measures you may wish to consider include:

-If the product is elevated, any structural and building code requirements are solely the customer's responsibility, and should be abided by.

-In high or gusty wind conditions it is advisable to keep the structure securely grounded.

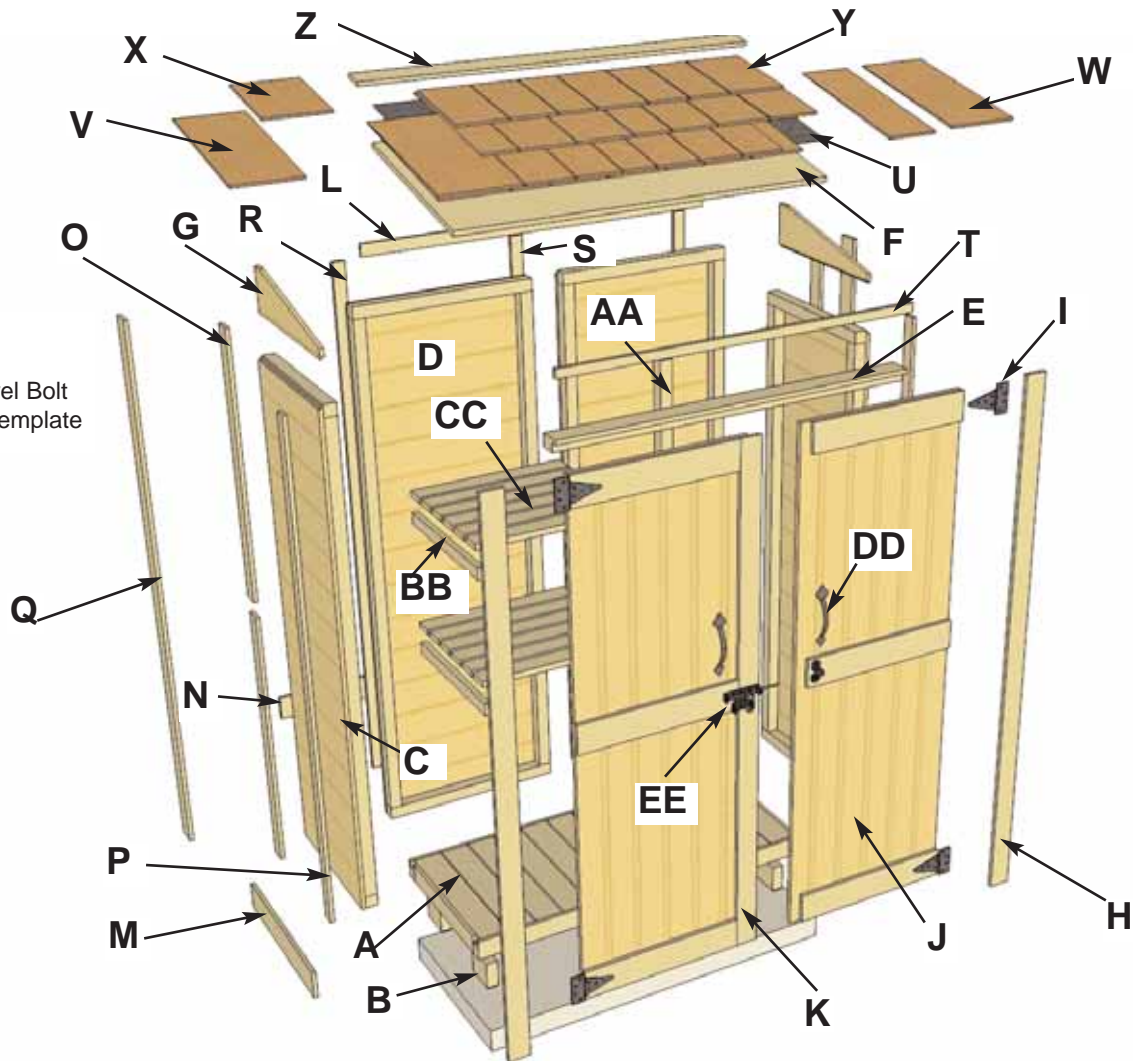
-Have a regular maintenance plan to ensure screws, doors, roof and parts are tight.



**4x2 Garden Chalet Dimensions:**  
A: Outside Height (Rear) = 73 3/4"  
B: Outside Height (Front) = 67 3/4"  
C: Outside Width = 48"  
D: Outside Depth = 23 1/4"  
E: Door Width = 40"  
F: Door Height = 61 1/4"  
G: Inside Height (Rear) = 67"  
H: Inside Height (Front) = 61"  
I: Inside Width = 44"  
J: Inside Depth = 20"

**In the event of a missing or broken piece, simply call the Outdoor Living Today Customer Support Line @ 1-888-658-1658 within 30 days of the delivery of your purchase. It is our commitment to you to courier replacement parts, free of charge, within 10 business days of this notification. Replacement parts will not be provided free of charge after the 30 day grace period.**

# Exploded View and Parts List for 4'x2' Garden Chalet



Not Shown:  
 Interior Door Stop  
 Interior Silver Barrel Bolt  
 Shingle Spacing Template

## Parts List

### Floor Section

- A 1 - Floor Section - 20 1/2" x 45" x 2 1/2"
- B 4 - Floor Legs - 1 1/2" x 3 1/2" x 4"

### Wall Section

- C 2 - Side Walls - 18 1/2" x 62 1/2"
- D 2 - Rear Walls - 22" x 67"
- E 1 - Door Header - 1 1/2" x 2 1/2" x 41" - Dado Cut
- G 2 - Angle Cut Gable Siding Pieces (left / right) - 1/2" x 18 1/2"
- J 2 - Door Panels - 20 1/4 x 61 3/8"
- K 1 - Door Flange - 1/2" x 2 1/2" x 61 3/8"

### Roof Section

- F 1 - Roof Plywood - 5/8" x 21" x 44"
- U 1 Sheet of Roofing Paper
- V, 27 - 16" long x 5 1/2" wide Shingles
- W 5 - 16" long x 2 3/4" wide Shingles
- X 8 - 8 1/2" long x 5 1/2" wide Last Row Shingles
- Y 1 - 8 1/2" long x 2 3/4" wide Last Row Shingle
- Z 1 - Roof Ridge Cap - 1/2" x 2 1/2" x 47"

### Trim Section

- H 2 - Front Corner Door Trims - 1/2" x 2 1/2" x 65 1/2"
- L 1 - Upper Rear Horizontal Trim - 1/4" x 1 1/4" x 43 3/4"
- M 2 - Side Skirting - 1/2" x 3 1/2" x 21"
- N 1 - Rear Skirting - 1/2" x 3 1/2" x 45"
- O 4 - Filler Trim - 1/2" x 2" x 33"
- P 2 - Side / Front Corner Trim - 1/2" x 1 1/2" x 62"
- Q 2 - Side / Rear Corner Trim - 1/2" x 2 1/4" x 66 3/4"
- R 2 - Rear Corner Trim - 1/2" x 1 1/2" x 67"
- S 1 - Center Rear Trim - 1/2" x 1 1/2" x 67"
- T 1 - Front Door Header Trim - 1/2" x 1" x 41"

### Shelf Section

- AA 1 - Vertical Shelf Support - 1 1/2" x 1 1/2" x 36"
- BB 4 - Shelf Supports - 3/4" x 1 1/2" x 17 3/4"
- CC 2 - Shelves - 17 1/2" x 18 7/8"

### Miscellaneous (Not Shown on Illustration above)

- 1 Interior Door Stop - 3/4" x 1 1/2" x 8"
- 1 Barrel Bolt Plywood Spacer - 1/2" x 2 1/2" x 2 1/2"
- 1 Interior Silver Barrel Bolt
- 1 Shingle Spacing Template - 1/8" x 7 1/2" x 40"

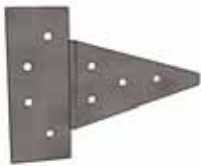
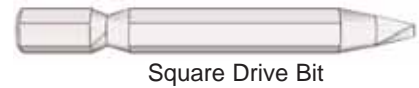
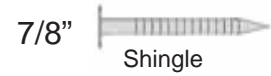
**Note:** We recommend you drill a 1/8" pilot hole for each screw, to avoid splitting wood. The hole depth should be equal to 3/4 the length of screw.

**Note:** All Trim and Skirting pieces are graded best face rough. This means the rough side will be exposed when completing these Sections.

# 4x2 GARDEN CHALET HARDWARE PACKAGE

## Hardware Kit (Provided)

Note: screws and nails shown actual size.



(I) Tee Hinge x4



(DD) Door Handle X 2



(EE) Barrel Bolt



Silver Barrel Bolt

## Tools Required (Not Provided)



Hammer



Screw Gun/Drill



Tape Measure



Wood Clamp



Utility Knife



Level



Pliers



Ladder



1/8" & 3/8" Drill Bits

## Safety Equipment Required (Not Provided)

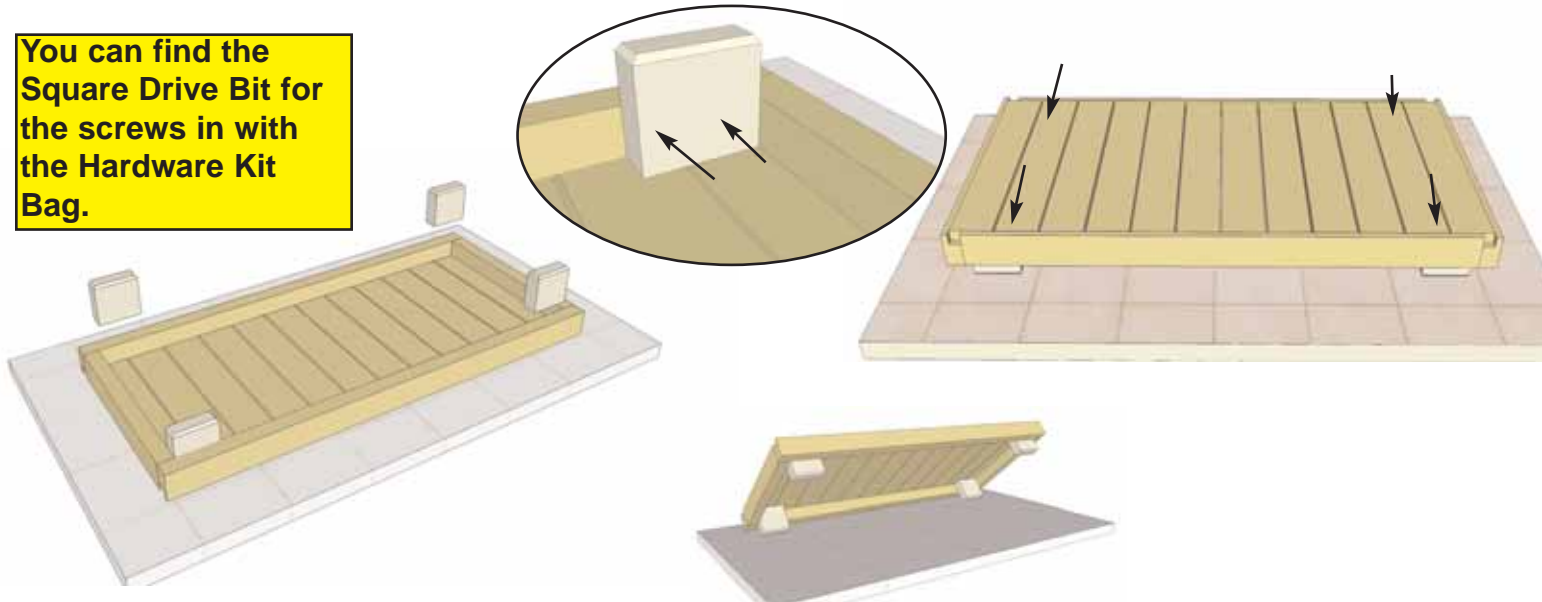


Safety Glasses

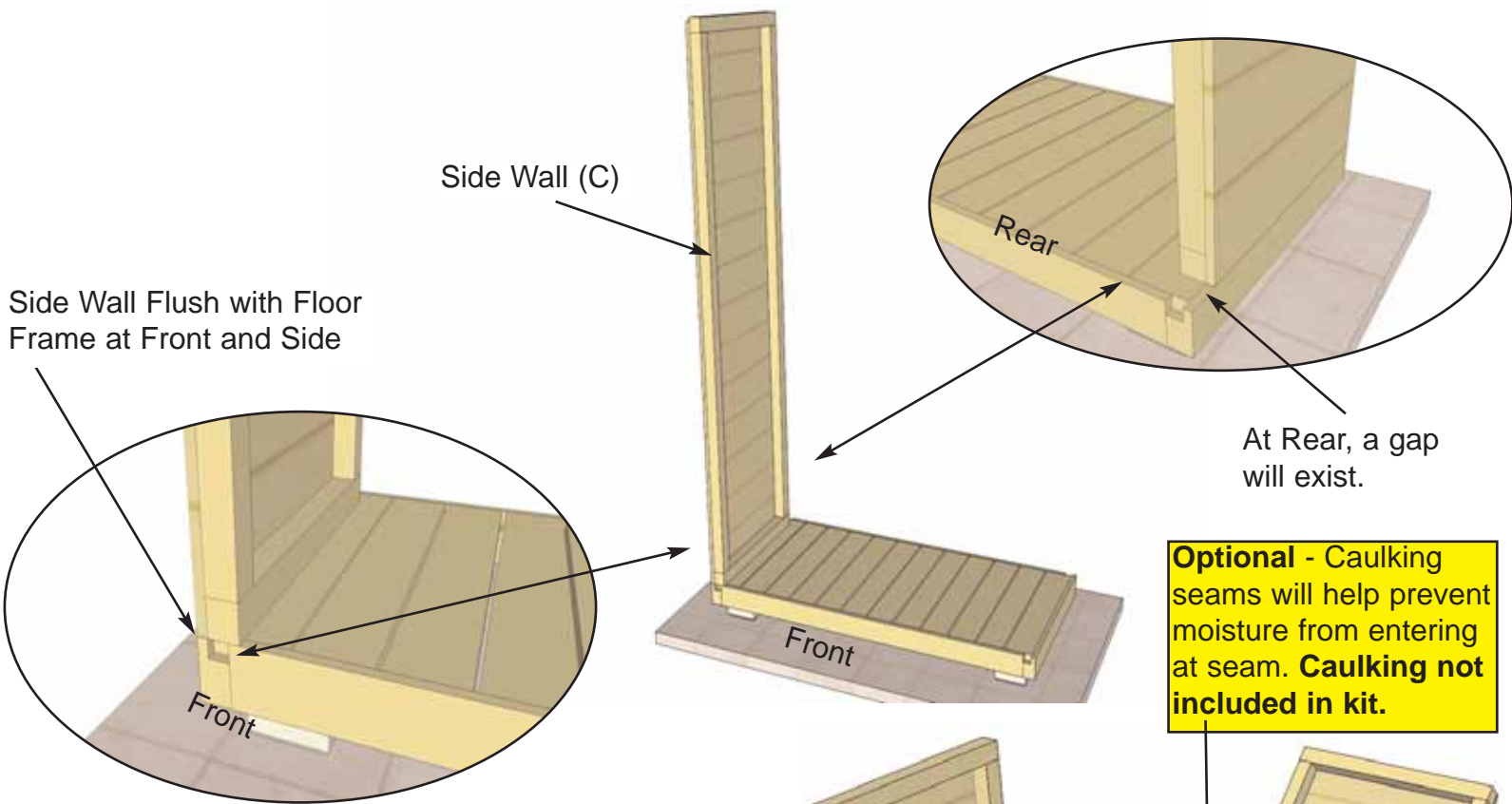


Work Gloves

You can find the Square Drive Bit for the screws in with the Hardware Kit Bag.



**1.** Flip **Floor (A)** over on a level surface. Locate **Legs (B)** and position in each corner tight to floor and framing and attach with 2- 2 1/2" screws. Complete all Leg attachments. Flip Floor over and complete Leg attachments by screwing 1 - 2 1/2" screws through Floor Boards into each Leg. Level Floor before proceeding to **Step 2**. You can find the Square Drive Bit for the screws in with the Hardware Kit Bag.



Side Wall Flush with Floor Frame at Front and Side

Side Wall (C)

Rear

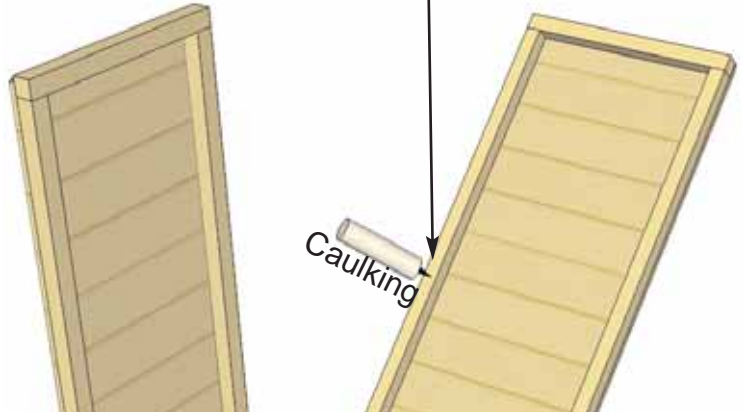
At Rear, a gap will exist.

Front

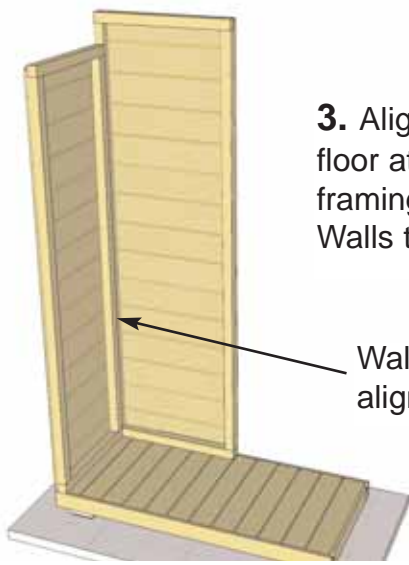
Front

**Optional - Caulking** seams will help prevent moisture from entering at seam. **Caulking not included in kit.**

**2.** Locate **Side Walls (C)** and **Rear Walls (D)**. Make sure walls are in correct orientation (Siding cut flush with Wall Framing at bottom). Position Side Wall on Floor so it sits flush with front and side. Have helper hold Side Wall while Rear Wall is positioned on Floor.  
**Optional - Caulking** wall seams will help prevent moisture from entering at seam. **Caulking not Included in Kit.**

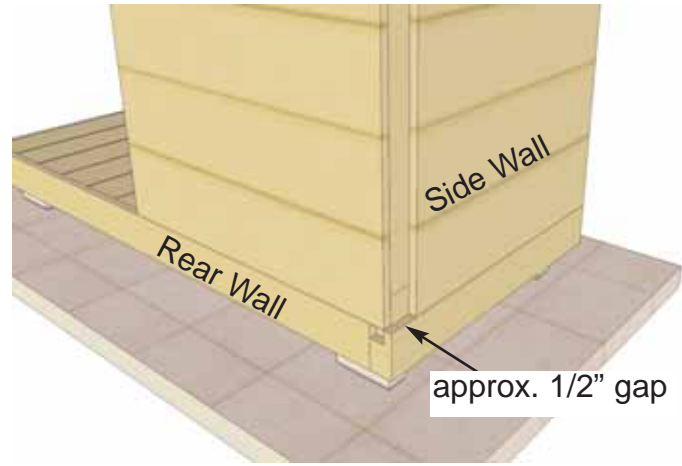


Caulking

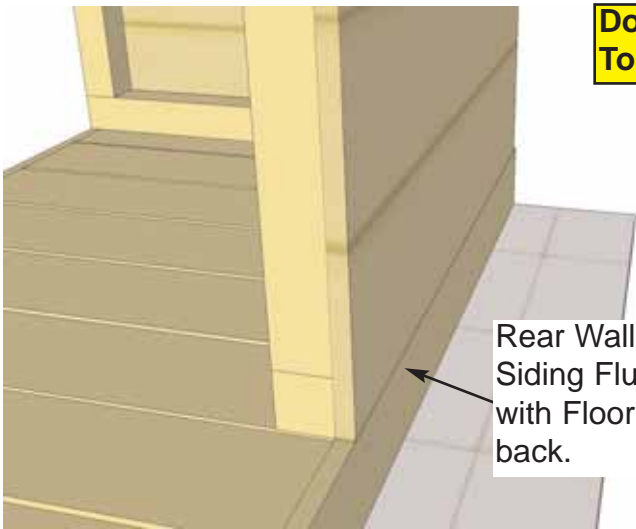


**3.** Align Rear Wall flush to floor at the back and wall framing of Side and Rear Walls together.

Wall Framing aligned together.

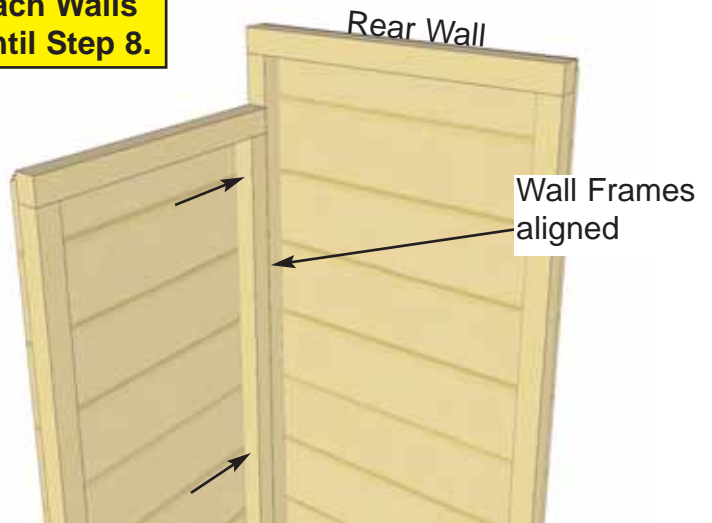


approx. 1/2" gap



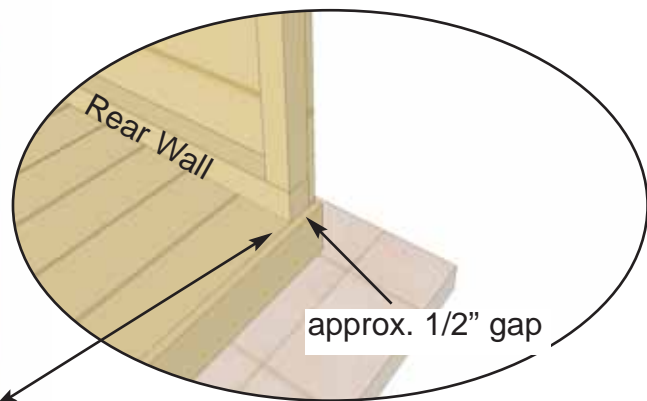
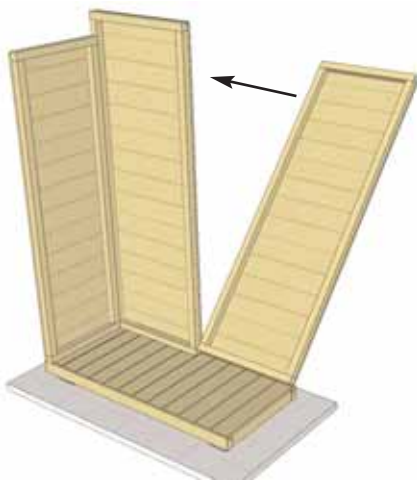
Rear Wall Siding Flush with Floor at back.

**Do Not Attach Walls To Floor until Step 8.**



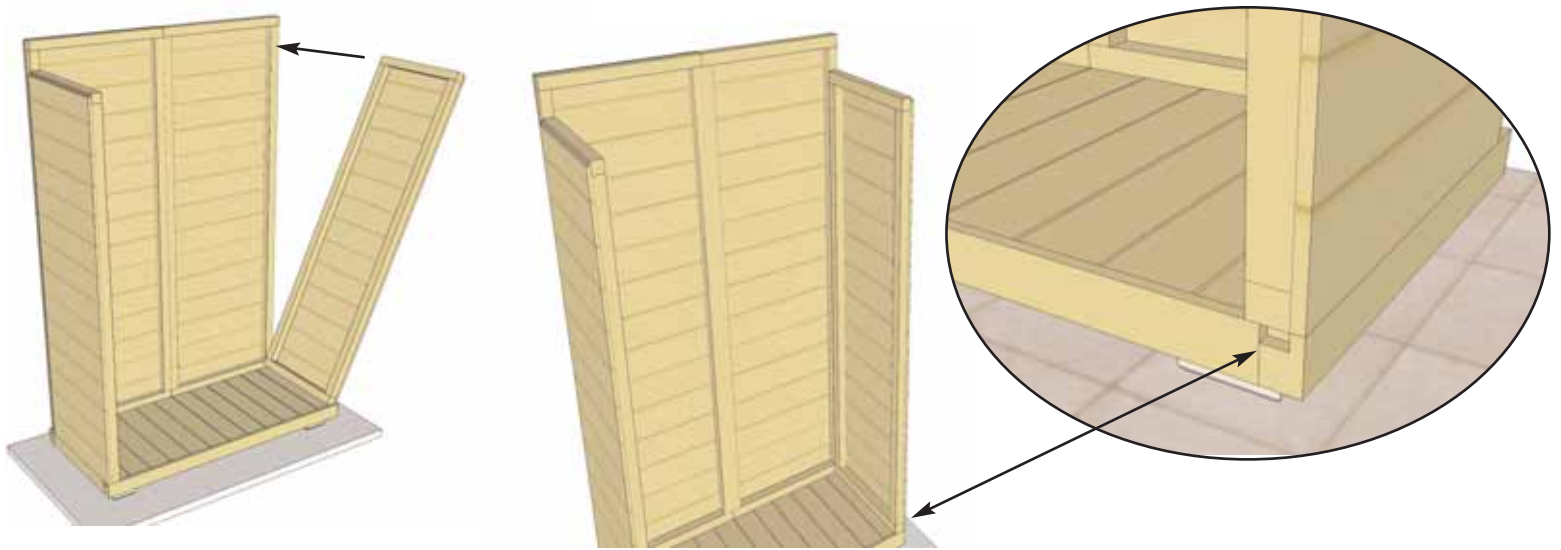
Wall Frames aligned

**4.** With Side and Rear Wall correctly positioned, attach together at top, middle and bottom of vertical wall frames with 3 - 2 1/2" screws.

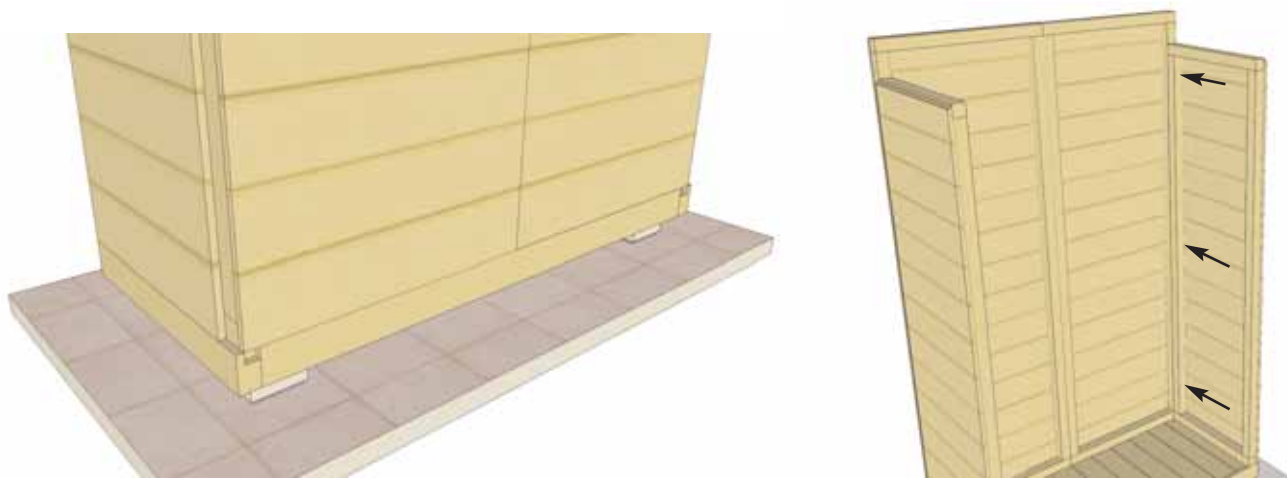


approx. 1/2" gap

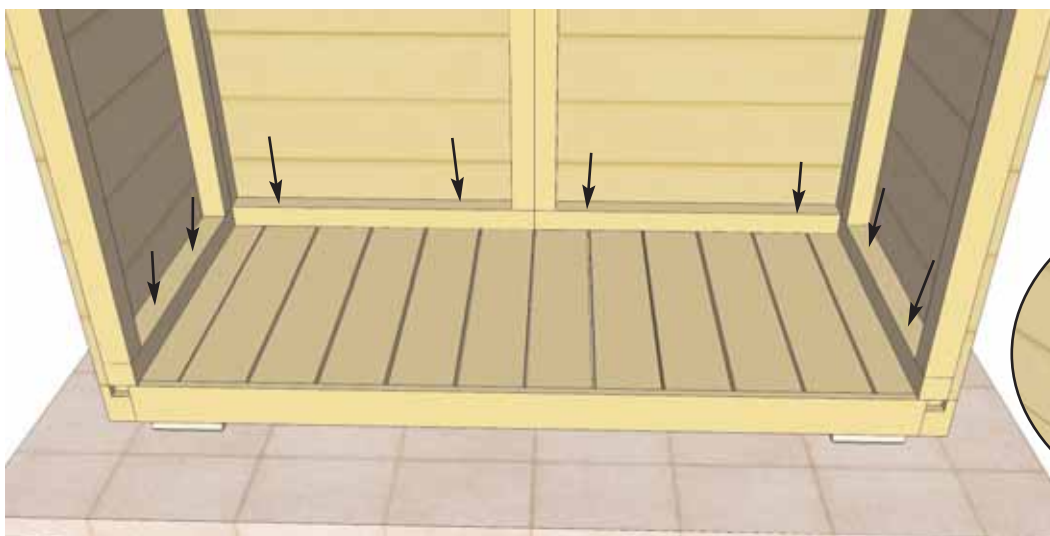
**5.** Position 2nd Rear Wall Panel on Floor as per **Step 3 & 4**. Attach wall frames together at top, middle and bottom with 3 - 2 1/2" screws.



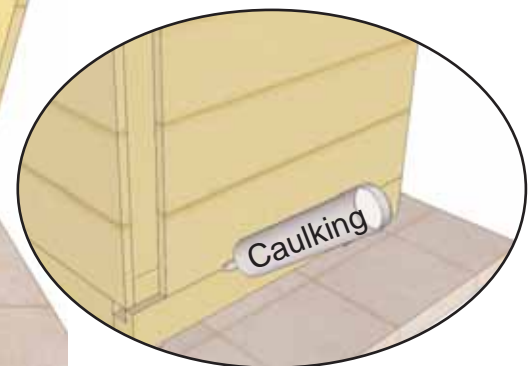
**6.** Position right Side Wall Panel on Floor as per **Step 2-4.**



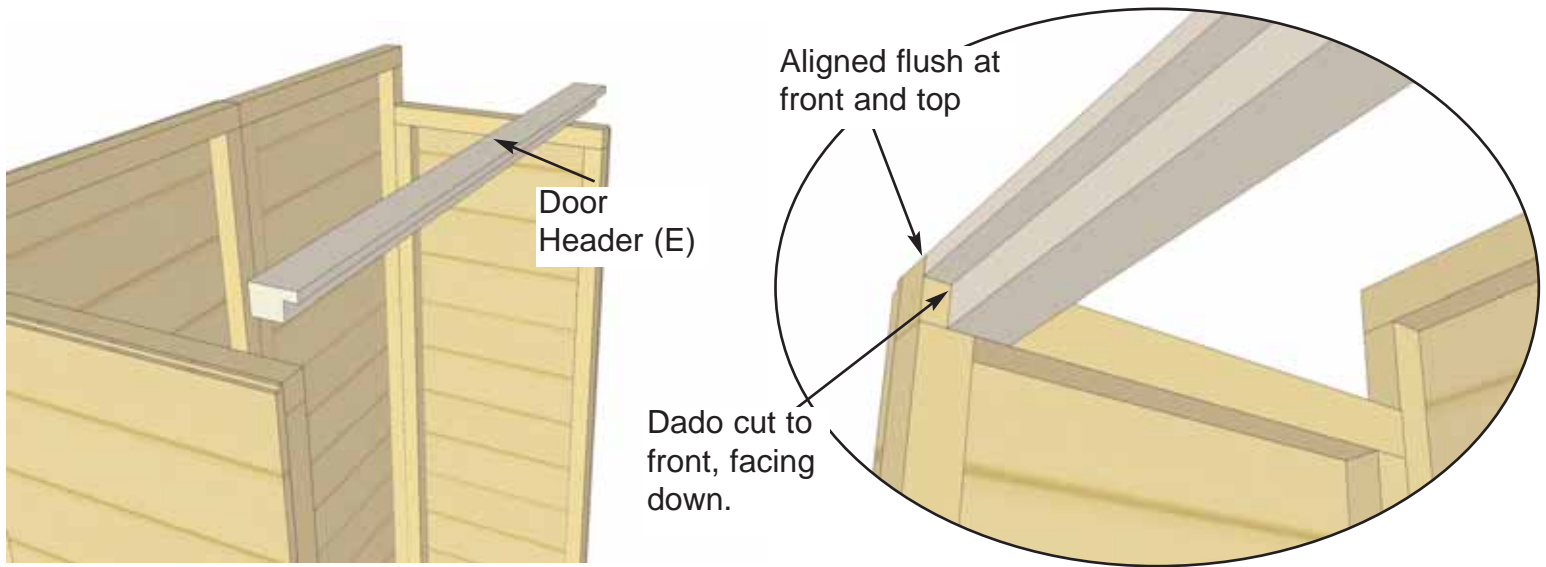
**7.** With Side Wall Panel correctly aligned, attach Rear and Side Wall together at top, middle and bottom of vertical wall frames with 3 - 2 1/2" screws.



**Optional - Caulking** seams will help prevent moisture from entering at seam. **Caulking not included in kit.**

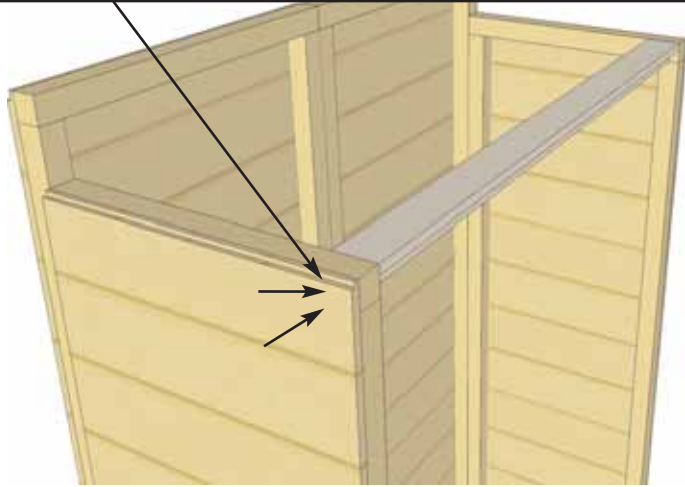


**8.** When all walls are attached together, check alignment with the floor. When positioned correctly, fasten bottom wall framing to floor using 2 - 2 1/2" screws per wall panel.

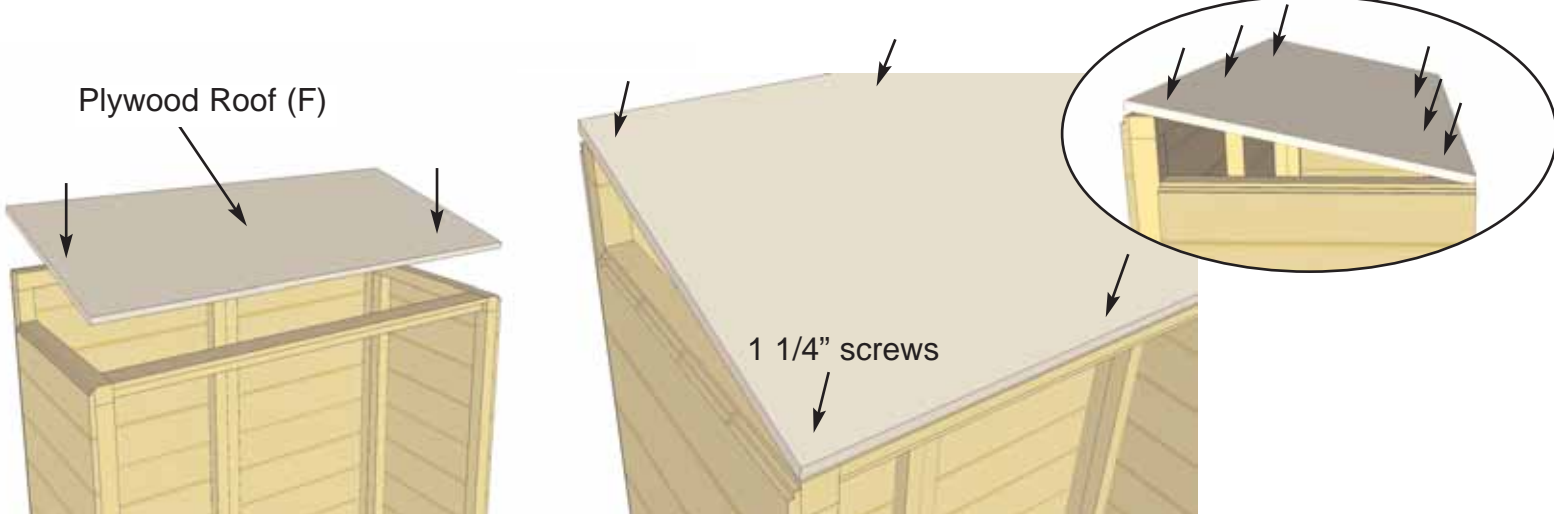


**9.** Locate **Door Header (E)** and place between Side Wall framing with dado cut facing down and to the front.

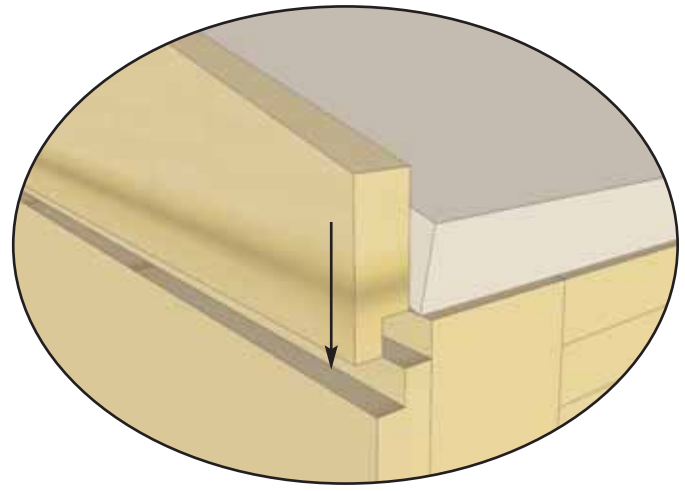
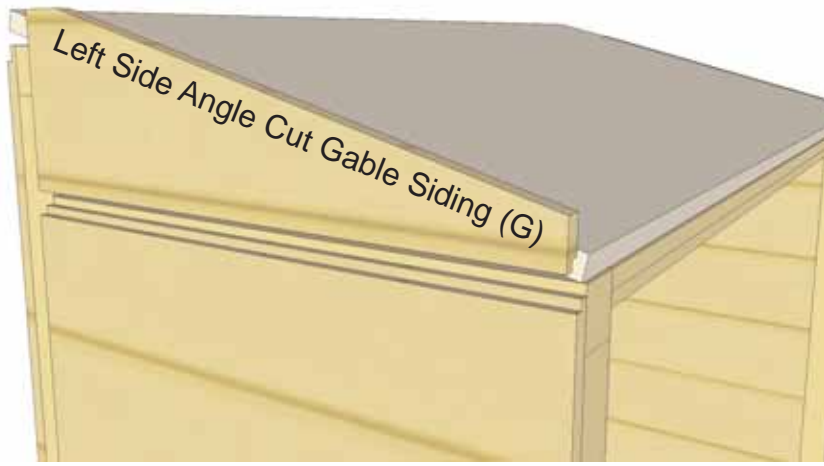
You will want **Front Corner Trim (P)** to cover screws in **Step 24**. Use Trim to confirm screw location.



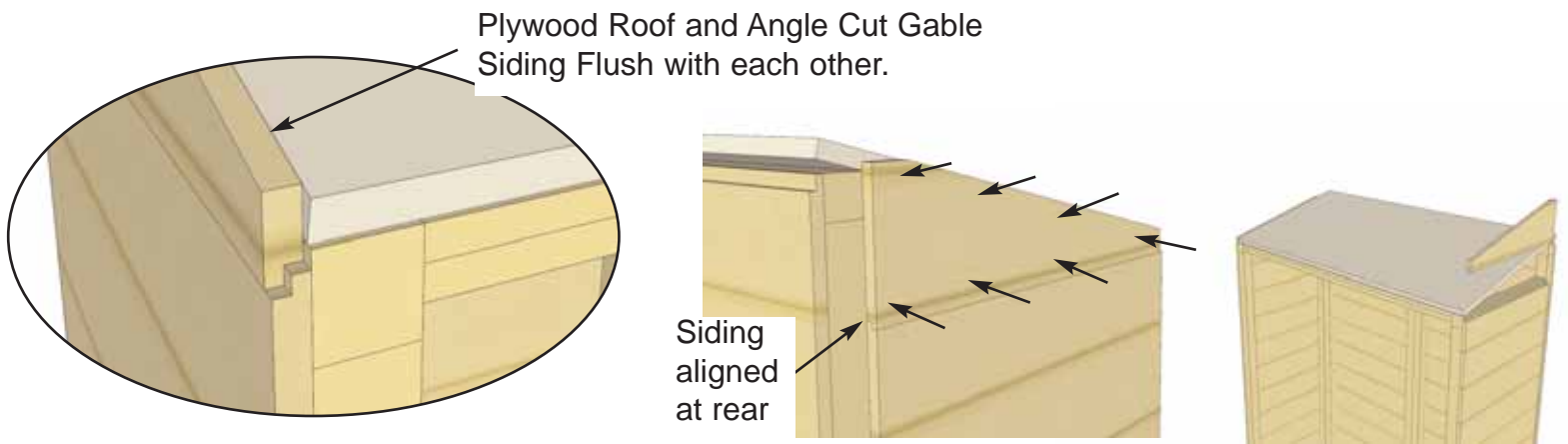
**10.** Prior to attaching Door Header, drill 2 pilot holes with 1/8" drill bit through Side Walls and into the end of Header. Have your helper hold Header and Wall steady. Secure with 2 - 2 1/2" screws per side.



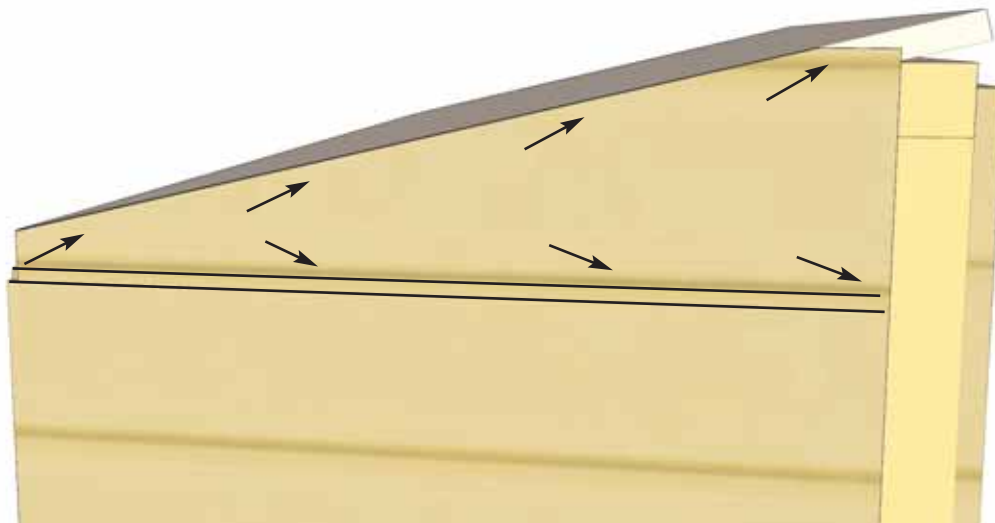
**11.** Place **Plywood Roof (F)** on Wall Framing and Door Header. Align evenly from side to side. At the front, recess Roof slightly. See **Step 12** for close up of front Roof alignment. When correctly positioned, screw to framing with 6 - 1 1/4" screws. **Note:** Be sure screws do not come through Door Header.



**12.** Locate both **Angle Cut Gable Siding Pieces (G)**. There are left and right side pieces. Starting with the left side, place above Side Wall so lap sidings fit together.

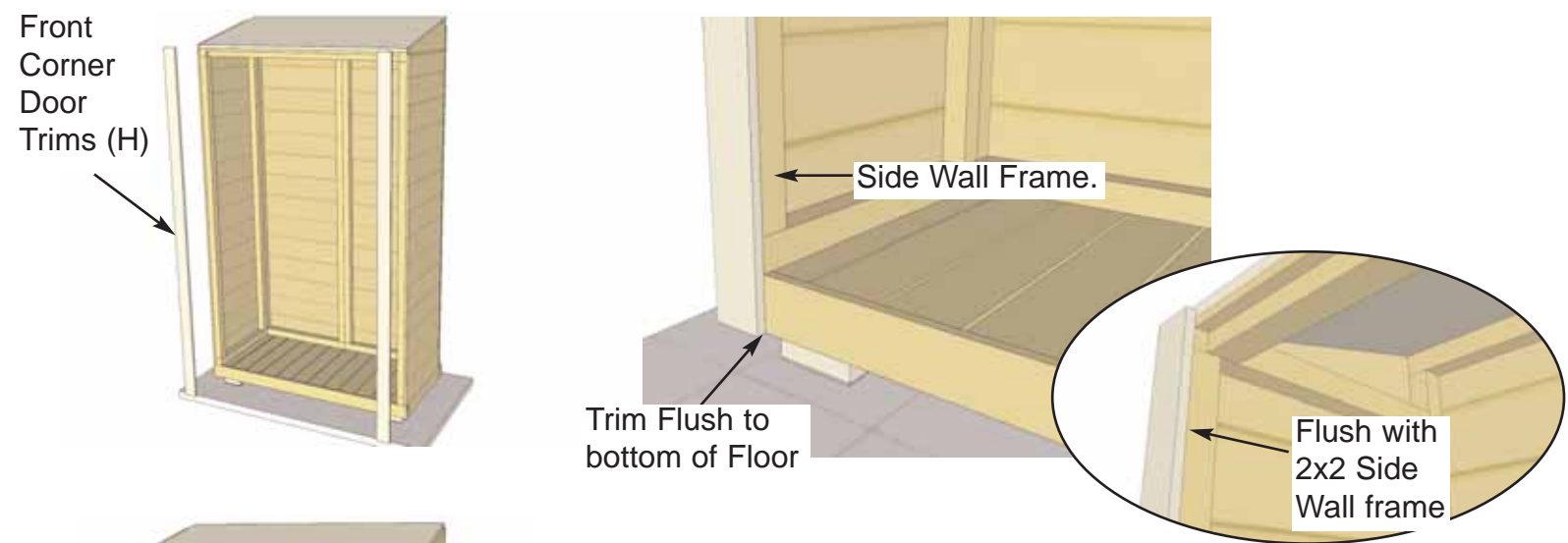


**13.** Align Gable Siding flush at rear with Wall Siding and flush with top of Plywood Roof. Secure with 7 - 1 1/4" finishing nails. Make sure to nail into edge of Plywood Roof at top and into wall framing at bottom. Hammer at slight angle to contact wall framing. Align right side Angle Cut Gable Siding Piece.



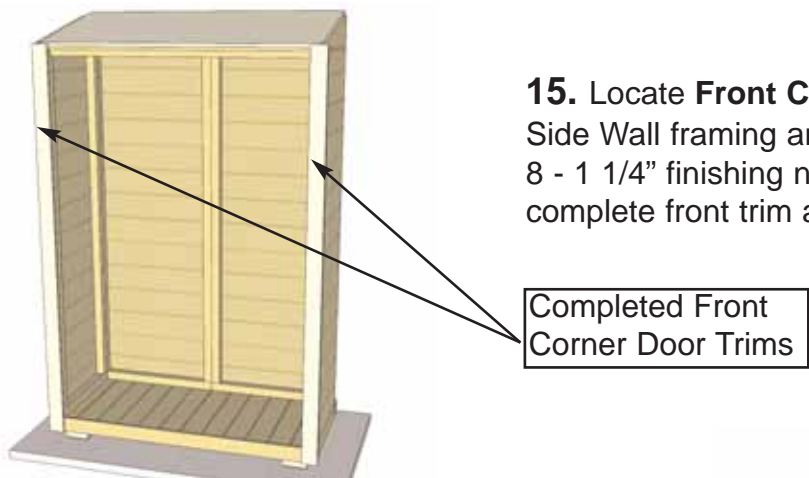
**14.** Complete right side Angle Cut Gable Siding Piece as per **Step 12-13**.



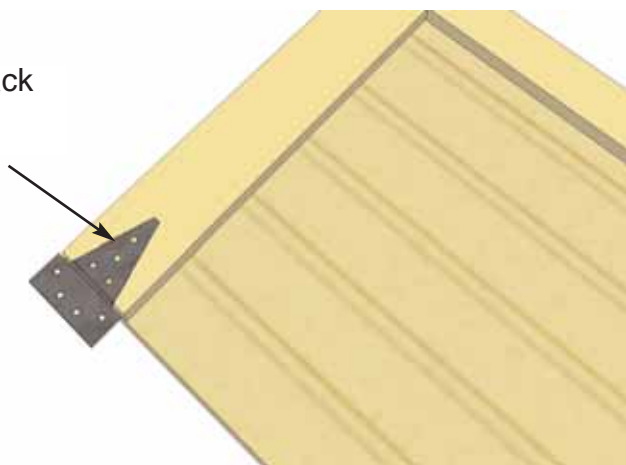


Trim Flush to bottom of Floor

**15.** Locate **Front Corner Door Trims (H)**. Position flush with Side Wall framing and flush with bottom of Floor. Attach with 8 - 1 1/4" finishing nails. Complete both sides. See **Step 24** for complete front trim alignment.

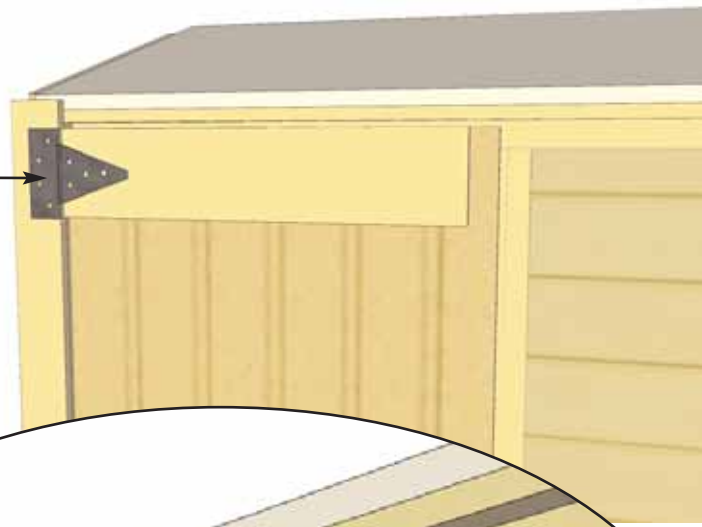
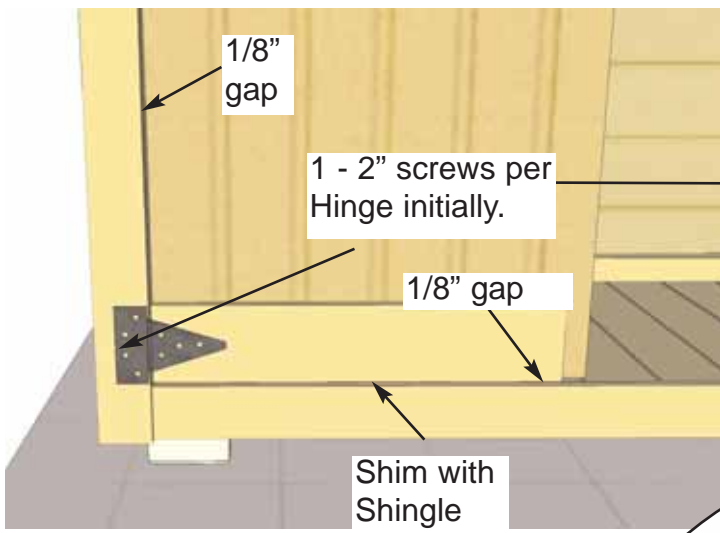


3/4" Black Screws



**16.** Locate **Black T- Hinges (I)**. Attach Hinges to Door Trim of **Door (J)** with 3/4" Black Screws provided in the hardware kit. Drill pilot holes in Door Trim to prevent wood from splitting. Complete both Hinge / Door attachments. Starting with left side Door, lift until Hinges contact Door Trims.

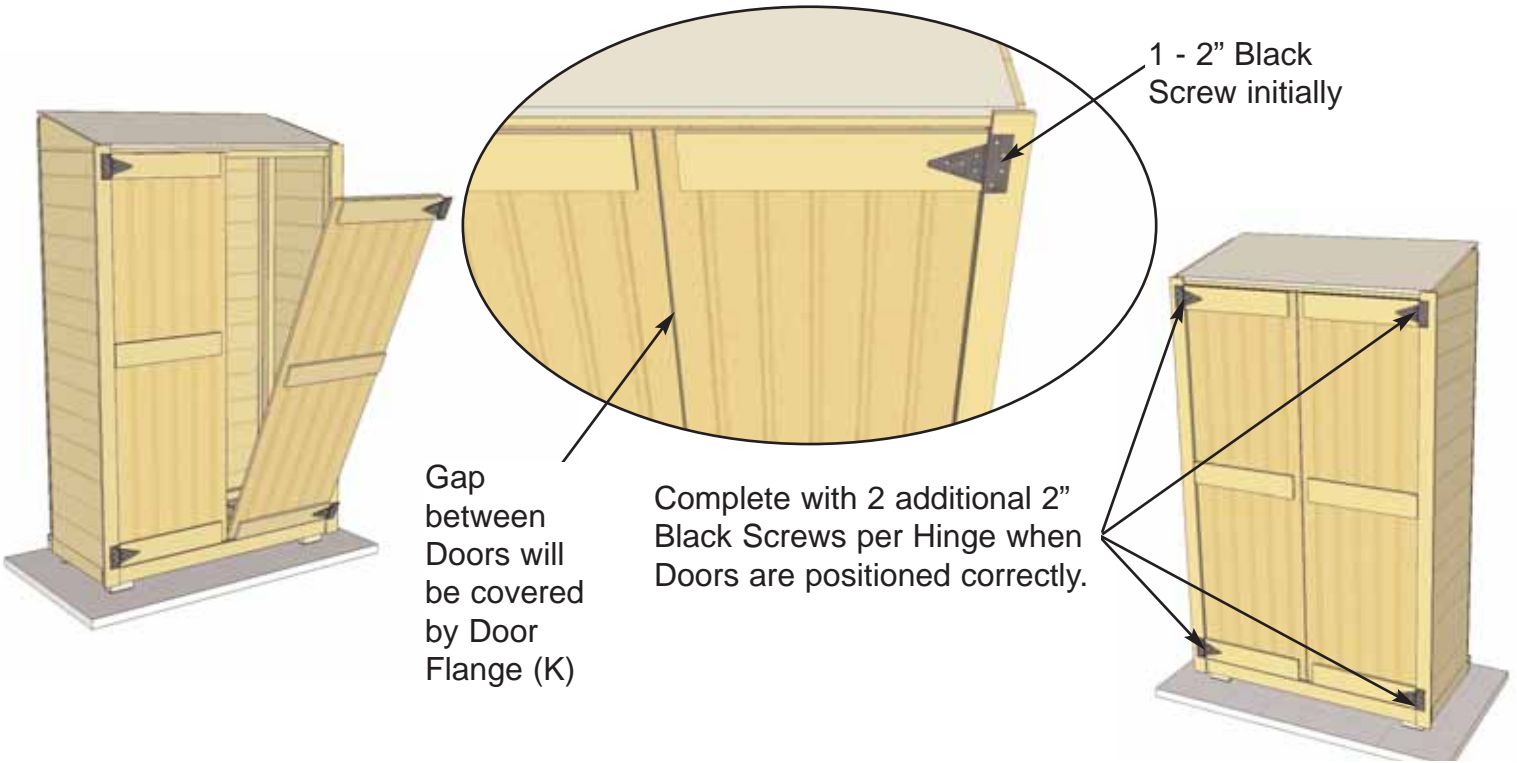
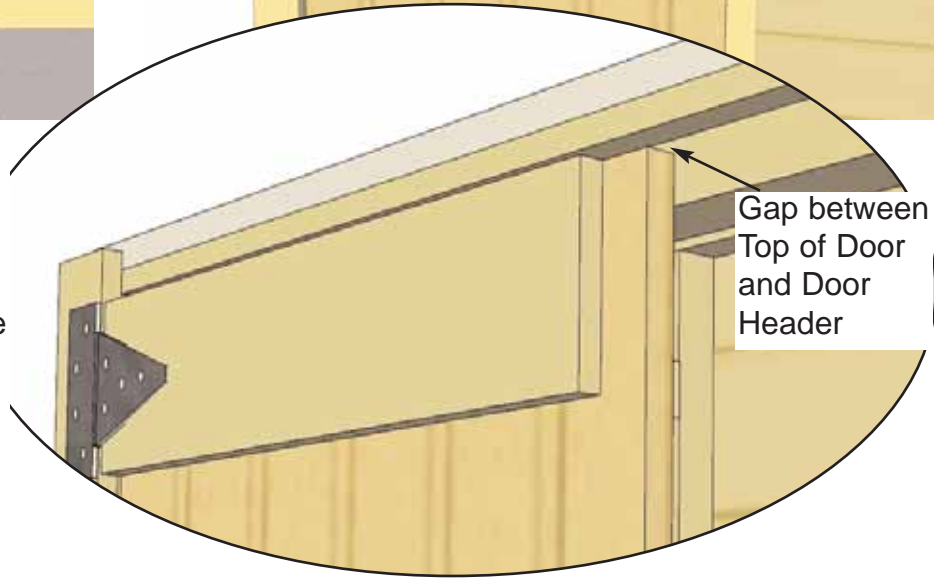




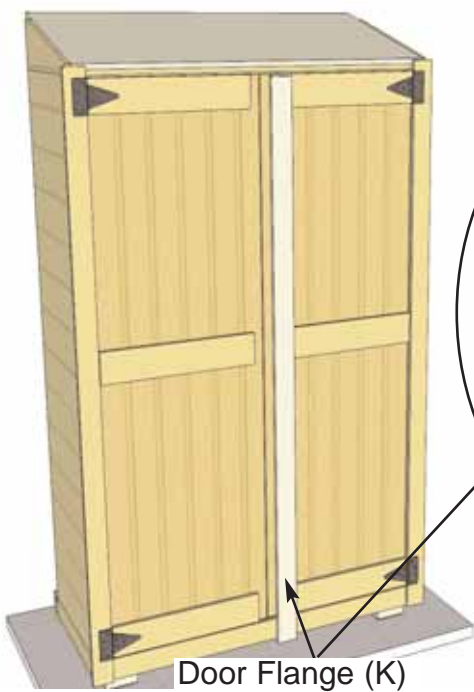
**17.** Leave a gap on left side and bottom of Door approximately 1/8". Use a shingle to shim the door at bottom to help position door evenly.

When door is aligned correctly, screw Hinge into Vertical Door Frame Trim with 2" Black Screws.

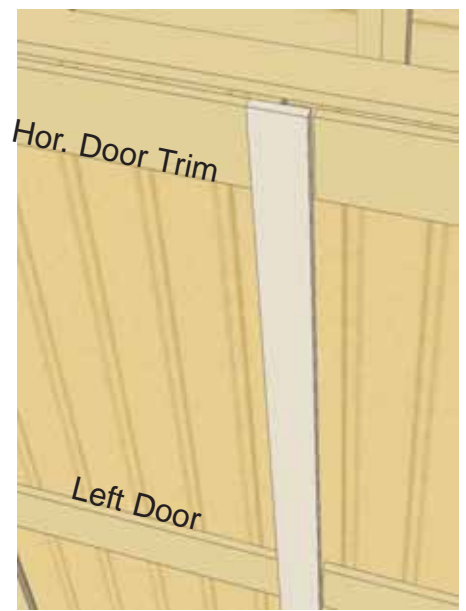
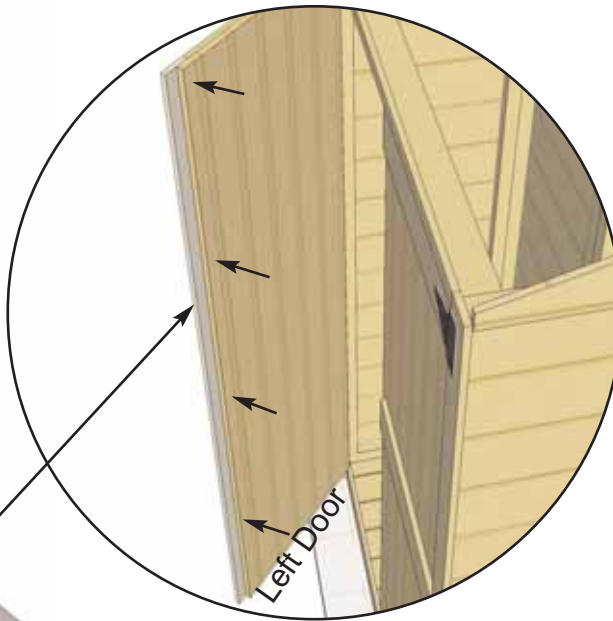
Use only 1 screw initially per hinge until both door alignments are confirmed. Drill pilot holes to prevent wood from splitting.



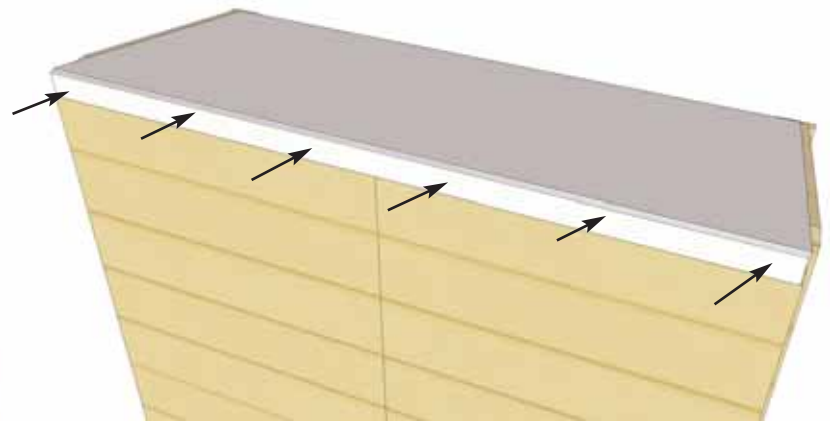
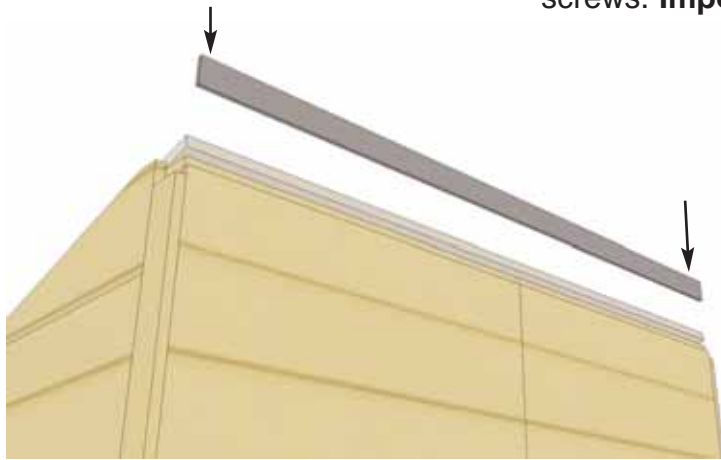
**19.** Position Right Side Door as per **Steps 16-17**. Once again, use only 1 screw per hinge initially to secure Door to Vertical Door Frame Trim. Open and close both Doors to confirm proper Door closing. Re-adjust Door Screws if necessary. When satisfied, complete Hinge attachments with 2 additional 2" Black Screws per Hinge.



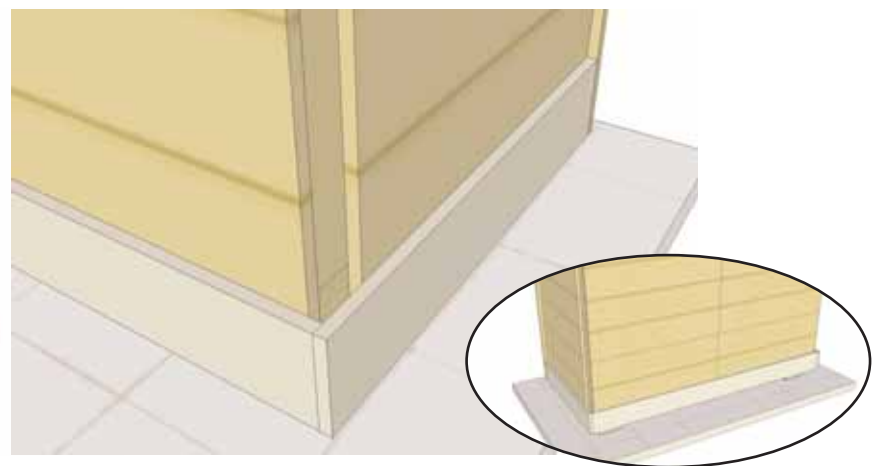
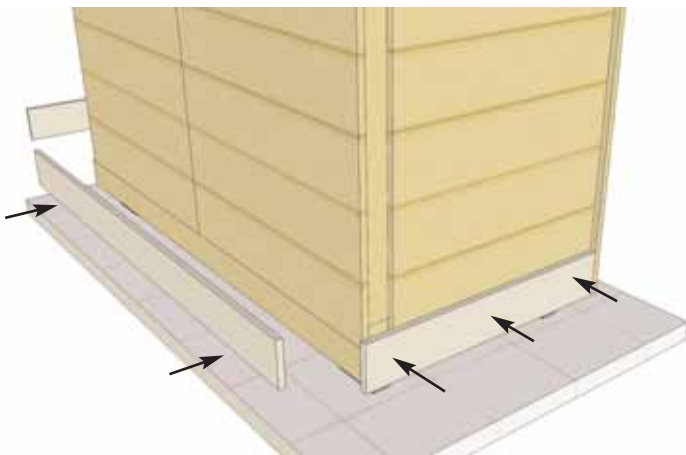
Door Flange (K) to be positioned on Left Door.



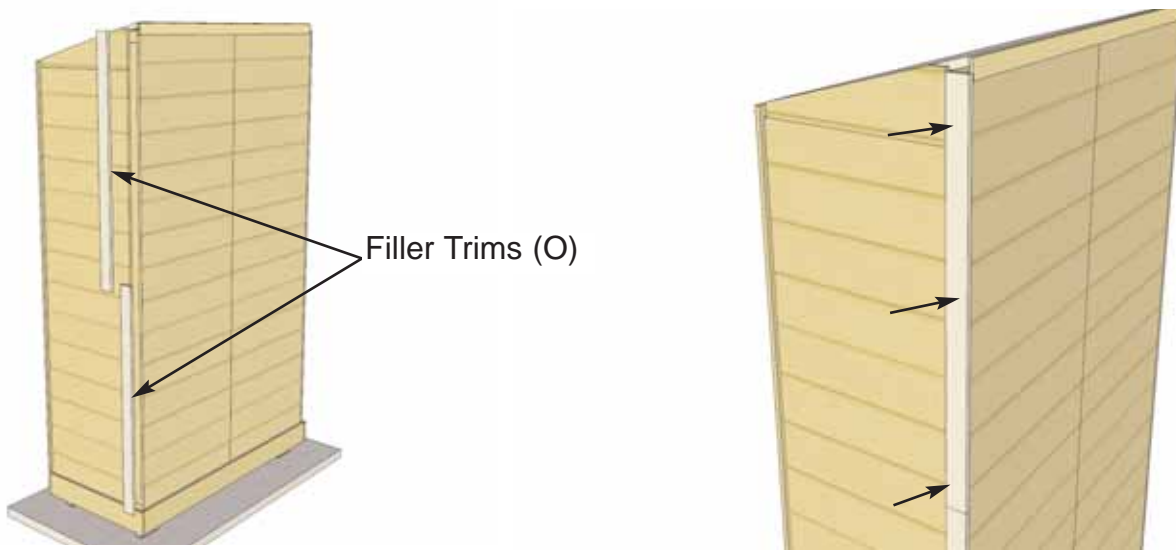
**20.** Open Left Door and position **Door Flange (K)** flush against Horizontal Door Trim making sure also to align evenly at top and bottom of Door Trim. From the inside screw Flange to door with 4 - 1" screws. **Important** - Drill Pilot Holes first to prevent splitting of wood.



**21.** Position **Upper Rear Horizontal Trim (L)** on top lap of Rear Wall Panels evenly from side to side. Nail Trim into Wall Framing and Roof edge with 6 - 1 1/4" finishing nails

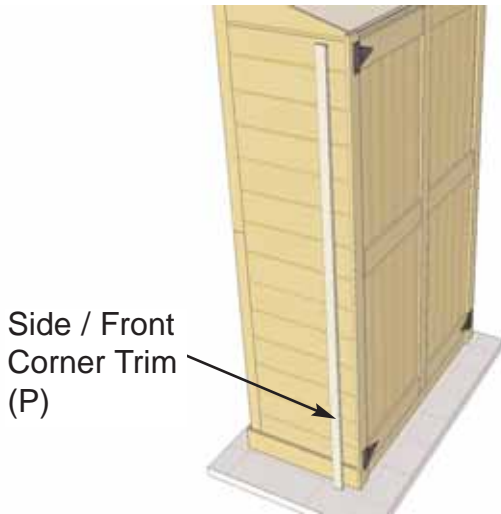


**22.** Locate **Side and Rear Skirting (M & N)** pieces. Starting with the side, position tight to Corner Door Trim and flush with bottom of Floor. Secure with 3 - 1 1/4" Nails per piece. Complete other side. Position Rear Skirting Piece between Side Skirting and secure with 6 - 1 1/4" nails.

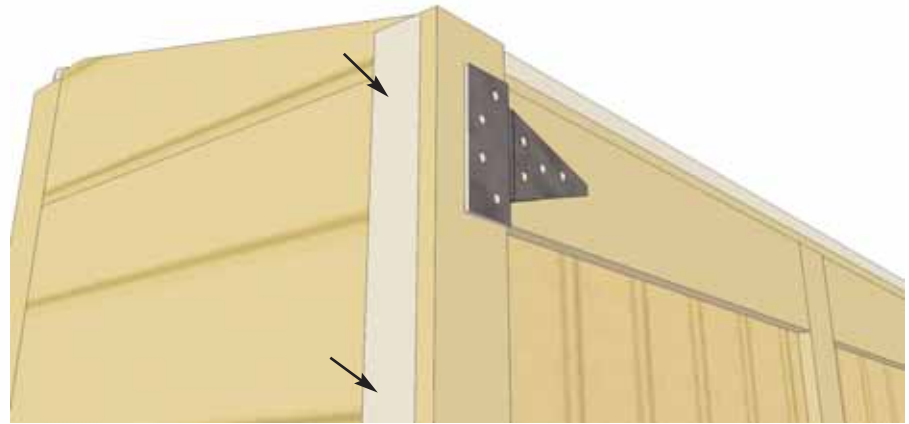


Filler Trims (O)

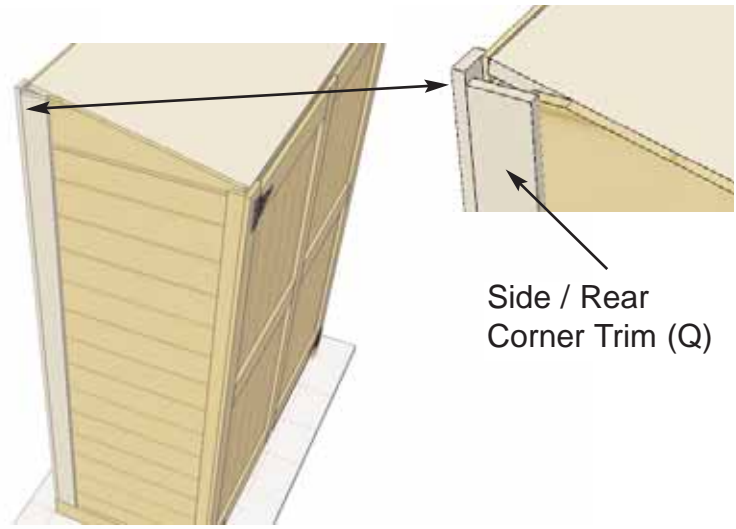
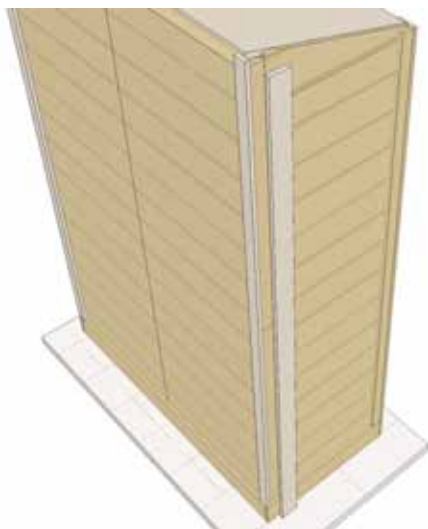
**23. Filler Trims (O)** or nailing strips are positioned in rear side corners. There are 2 Fillers per rear corner. Starting with Lower Trim, position flush to bottom of Side Skirting and nail with 3 - 1 1/4" nails. Place 2nd Filler Trim directly above and secure with 3 - 1 1/4" nails. Complete both sides.



Side / Front Corner Trim (P)

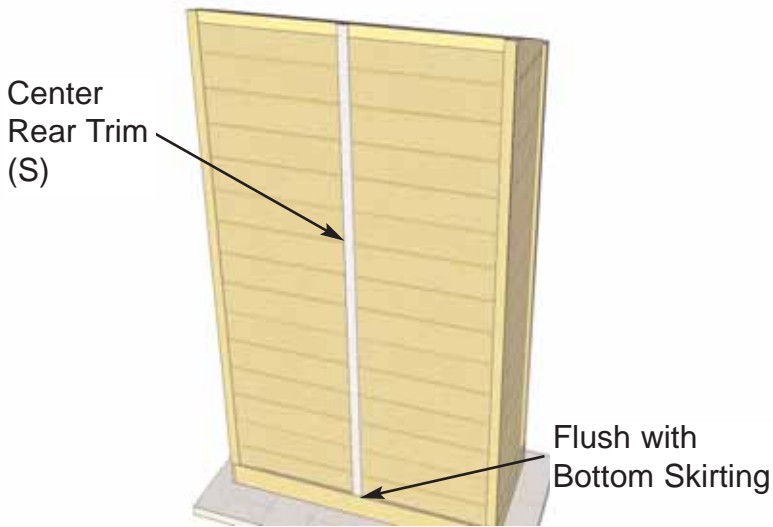


**24. Place Side / Front Corner Trim (P)** tight to Corner Door Trim and flush to top of Skirting at bottom. Nail secure with 6 - 1 1/4" nails. Complete both sides.

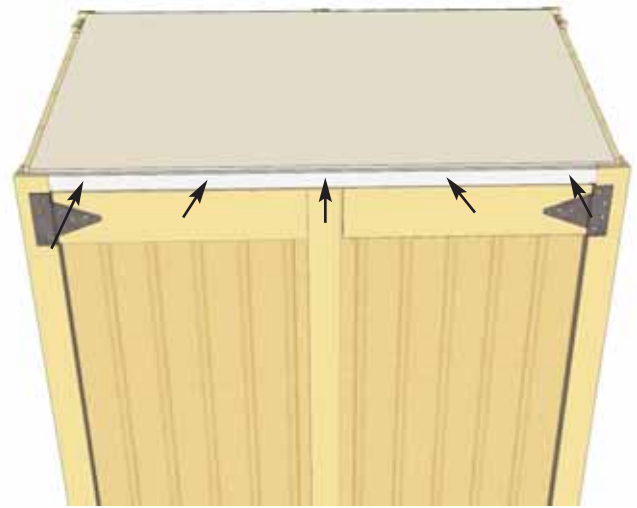
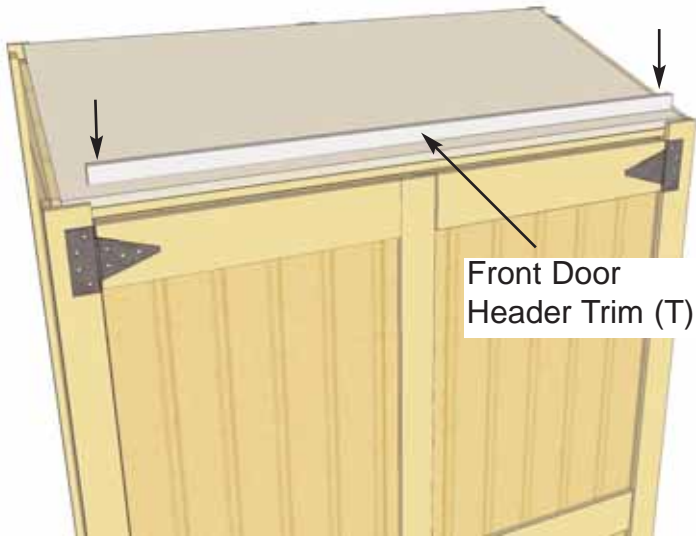


Side / Rear Corner Trim (Q)

**25. Locate Side / Rear Corner Trims (Q) and Rear Corner Trims (R).** Position 1 each in rear corner as illustrated above. At bottom, Trims should sit flush with Side and Rear Skirting. When correctly aligned, secure each piece with 8 - 1 1/4" nails.



**26.** Place **Center Rear Trim (S)** over Rear Wall Seam. Trim should sit flush at bottom with Skirting. When correctly aligned, secure with 8 - 1 1/4" nails.



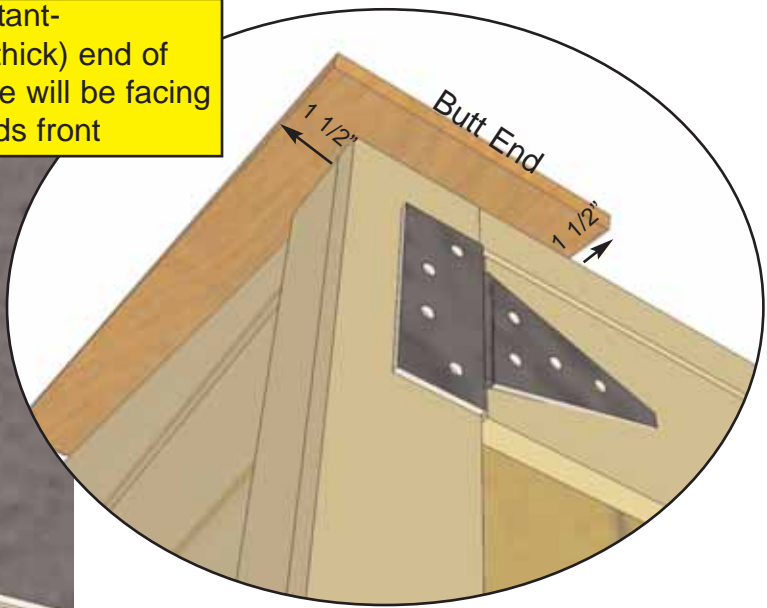
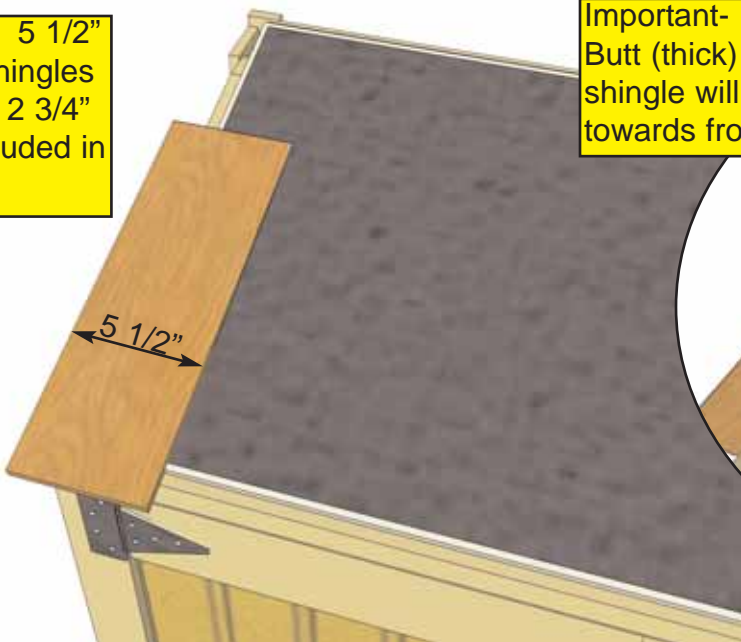
**27.** Locate **Front Door Header Trim (T)** and place between Corner Door Trim flush against Door Header and Plywood Roof. Make sure Door Header Trim is positioned so it does not impede the opening and closing of Doors. When correctly positioned, secure with 5 - 1 1/4 nails.



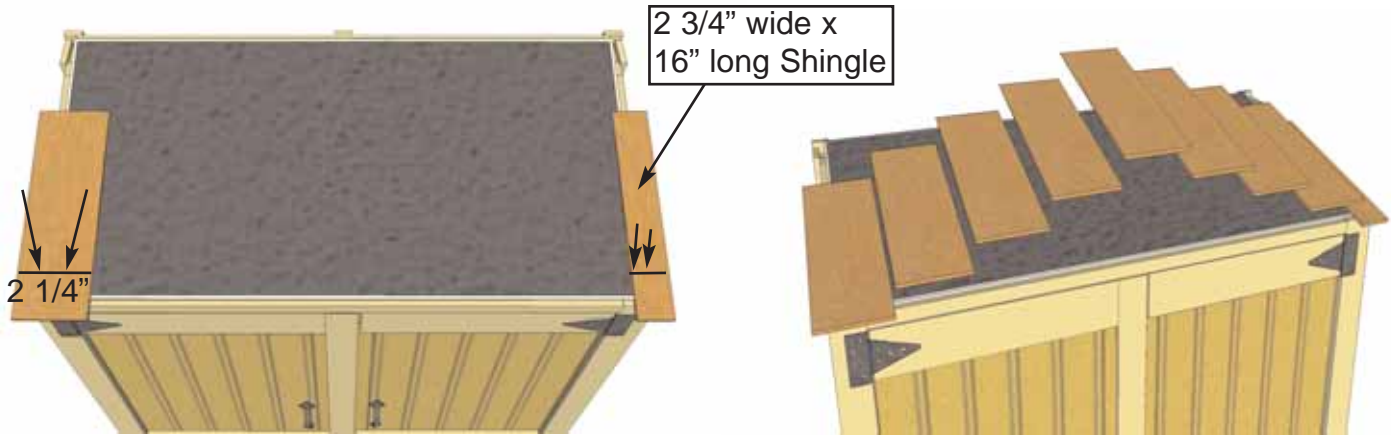
**28.** Unfold Sheet of **Roofing Paper (U)**. Place on Plywood Roof evenly and nail down with 4 - 7/8" nails. Position nails to penetrate through Plywood Roof into wall framing.

3 Extra 5 1/2" wide Shingles and 2 - 2 3/4" are included in kit.

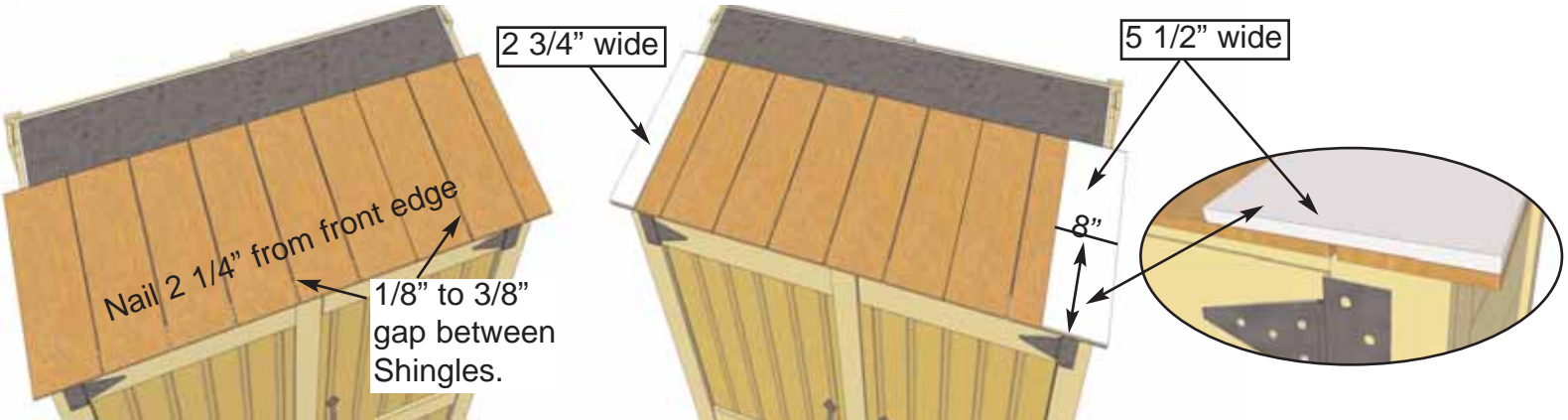
Important- Butt (thick) end of shingle will be facing towards front



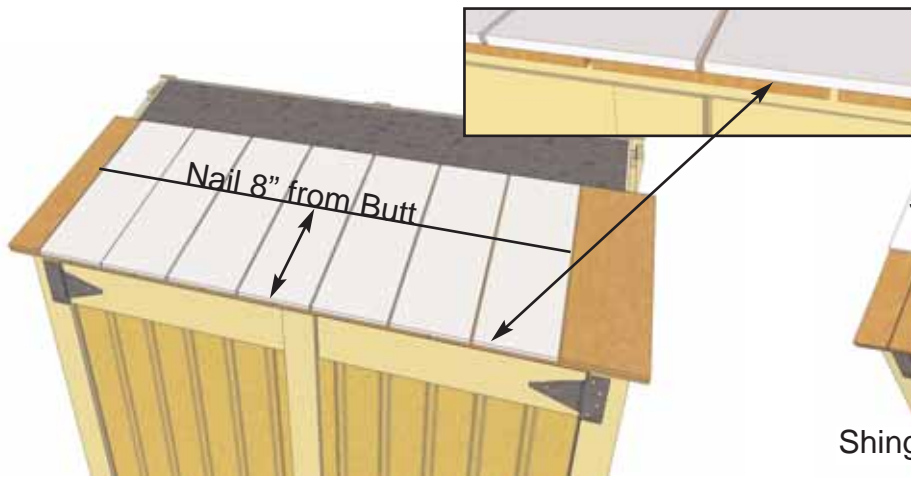
**29.** Locate 16" long x 5 1/2 and 2 3/4" wide Shingles (V, W). Starting with a 5 1/2" wide Shingle on the left side, align first Shingle on front left corner to overhang the Front Door Header Trim and Front / Side Corner Trim by 1 1/2".



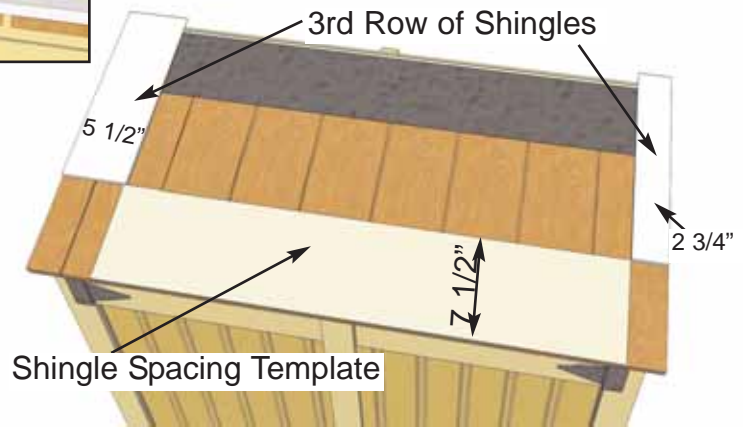
**30.** When first 5 1/2" wide x 16" long Shingle is correctly aligned, nail down to Plywood Roof with 2 - 7/8" shingle nails 2 1/4" from front edge. Position and secure a 2 3/4" wide x 16" long shingle on opposite corner. Drill pilot holes first when nailing 2 3/4" wide Shingle to roof. Space remaining 5 1/2" wide x 16" long shingles between both outside shingles leaving an 1/8" to 3/8" gap between each Shingle.



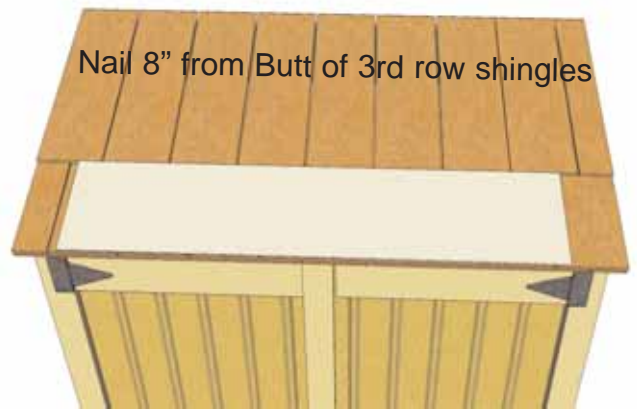
**31.** With 1st row of Shingles spaced correctly from side to side and overhanging the Front Door Header Trim by 1 1/2", secure each Shingle with 2 - 7/8" nails. Place 2nd row of shingles directly on top of first row except use a 5 1/2" wide shingle on the right side and a 2 3/4" wide shingle on the left . Secure both outside Shingles with 2 - 7/8" Shingle Nails 8" from their butt.



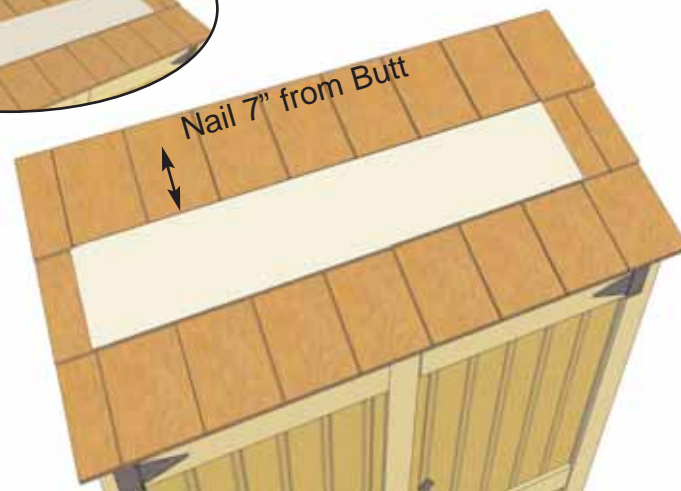
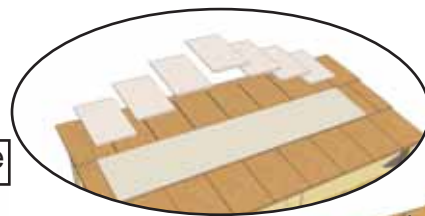
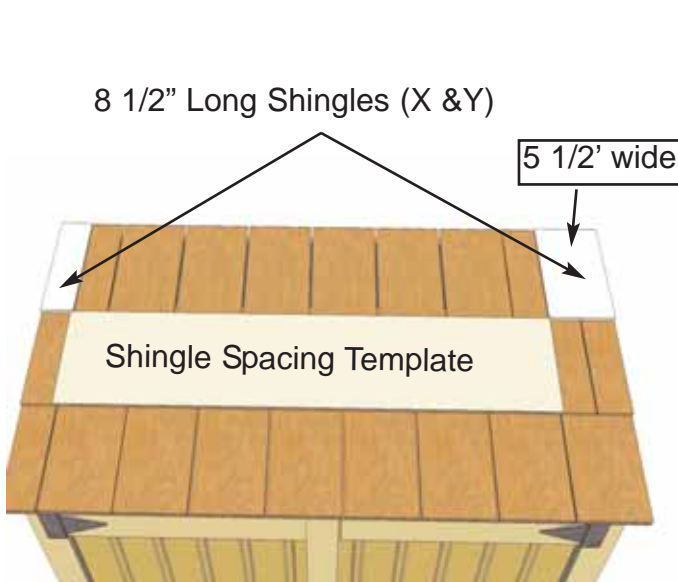
**32.** Choose remaining 2nd row of 5 1/2" wide Shingles and place on top of 1st row. Position and secure as per **Step 31**.



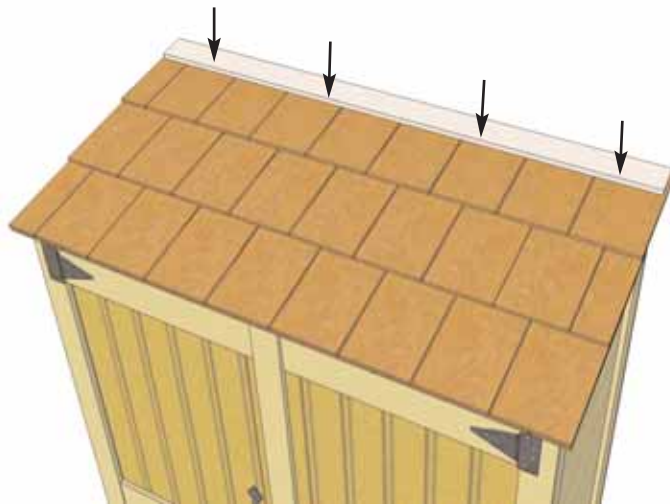
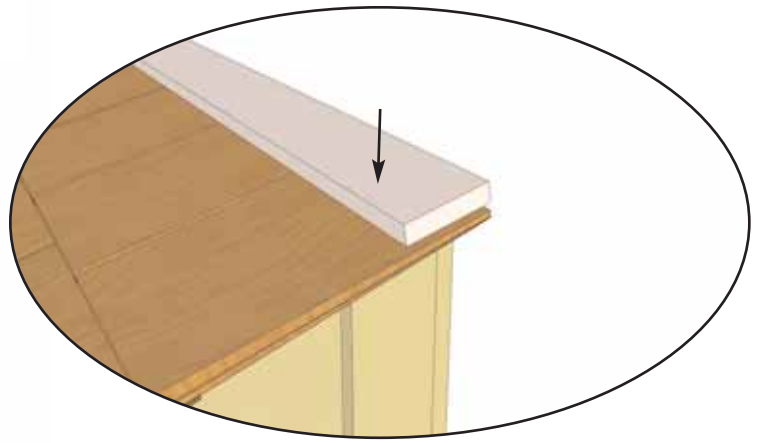
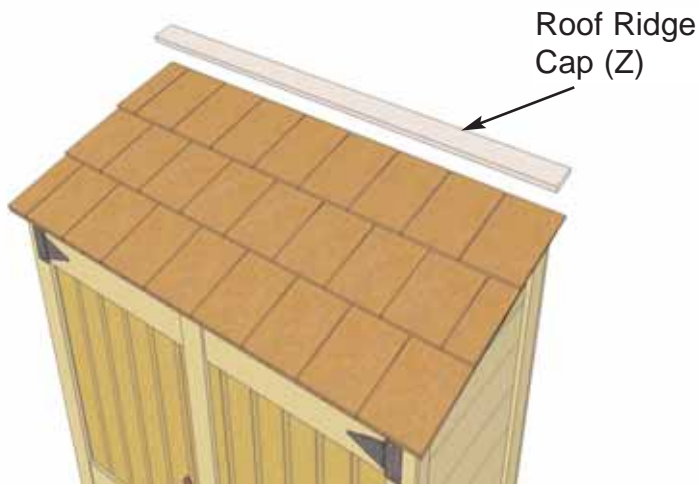
**33.** Tack **Shingle Spacing Template** (7 1/2" high) with 2 - 7/8" shingle nails flush with front of shingles. Position and attach 3rd row of outside Shingles as per **Step 30**. Use 5 1/2" wide on left and 2 3/4" on right side to start.



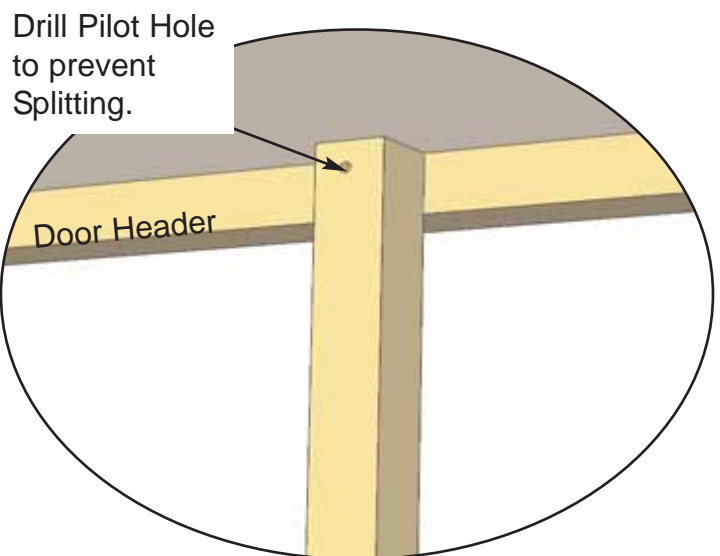
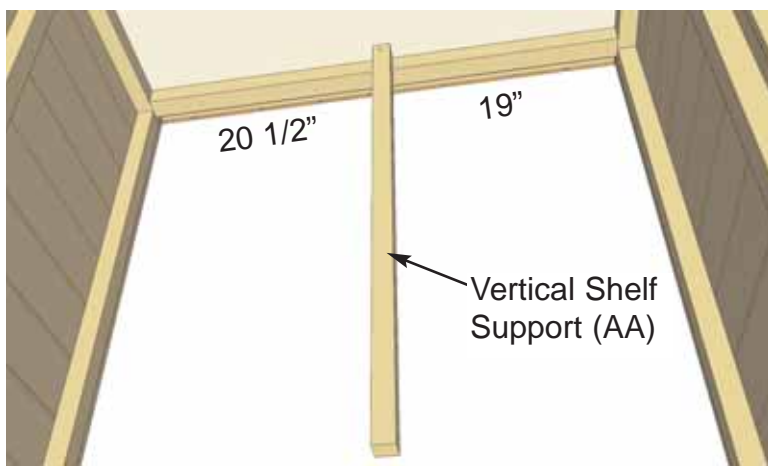
**34.** Position and secure remaining 3rd row of shingles as per **Steps 31-32**.



**35.** Re-position Shingle Spacing Template as per **Step 33**. Locate **8 1/2" Cedar Shingles (X & Y)** and position as per **Steps 31-34**. Position 2 3/4" wide shingle on left and 5 1/2" wide shingle on right. Nail 7" from the Butt of the 8 1/2" shingles with 2 - 7/8" shingle nails per shingle.

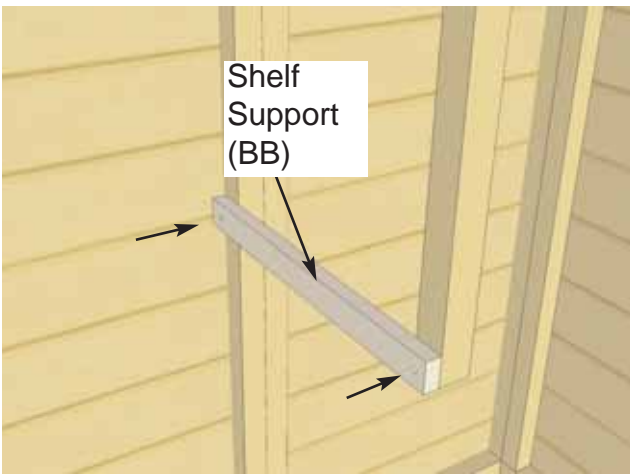


**36.** Center **Roof Ridge Cap (Z)** from side to side on the rear roof shingles. Overhang the Ridge Cap slightly off the back of the shingles. Secure with 4 - 2 1/2" screws. Be sure to screw through the Ridge Cap and into Rear Wall framing. Drill pilot holes in Ridge Cap to prevent wood from splitting.



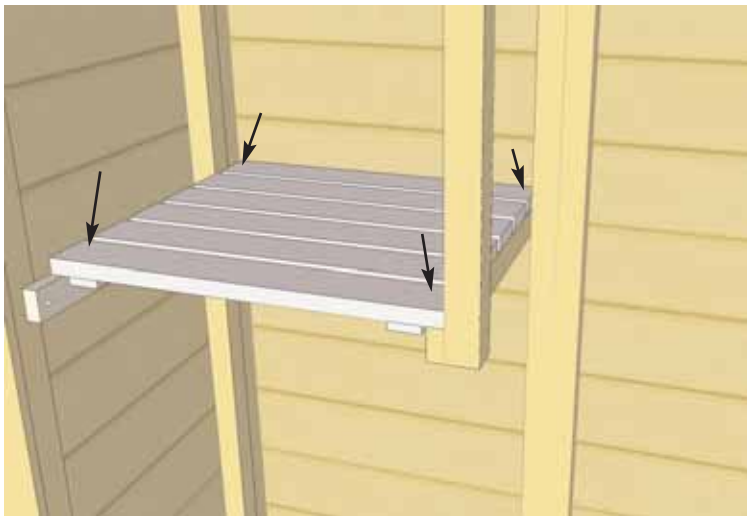
**37.** Shelving may be mounted on Left or Right Side of Chalet. This Assembly Manual illustrates the Shelving being mounted on the Left Side. First, locate the **Vertical Shelf Support (AA)**. Measure 19" from Left Side Wall Framing from the inside. Mark position on Door Header. Drill Pilot Hole near end of Shelf Support to prevent splitting and attach to Door Header with 1 - 2 1/2" screw.



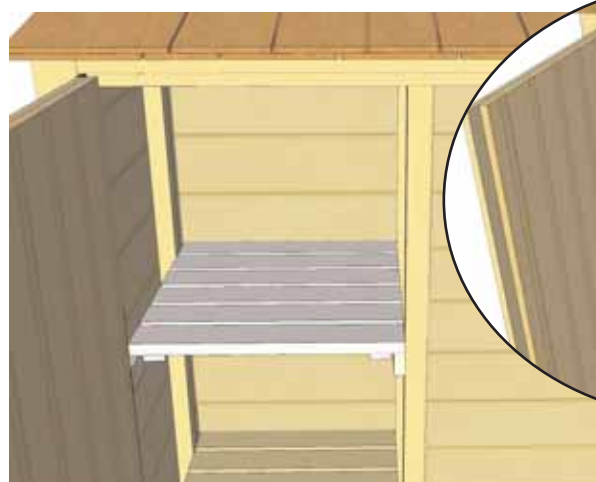


**38.** Locate 1 **Shelf Support (BB)** and position on Vertical Shelf Support and Rear Wall framing. Drill pilot hole in Shelf Support to prevent splitting and attach with 1 - 1 1/4" screw on each end.  
**Note** - Make sure Shelf Support is level prior to attaching. Attach 2nd Shelf Support to Side Wall framing as described above. Place **Shelf (CC)** on top of Shelf Supports.

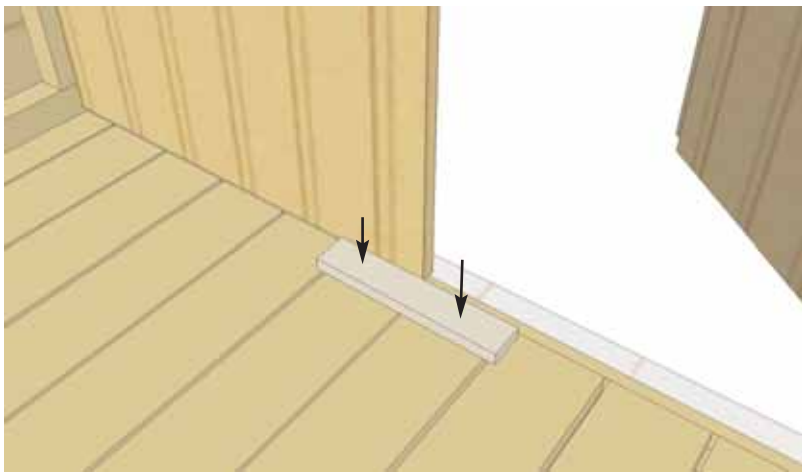
Positioned 3/4" on Side Wall framing. **Drill pilot hole on angle before screwing.**



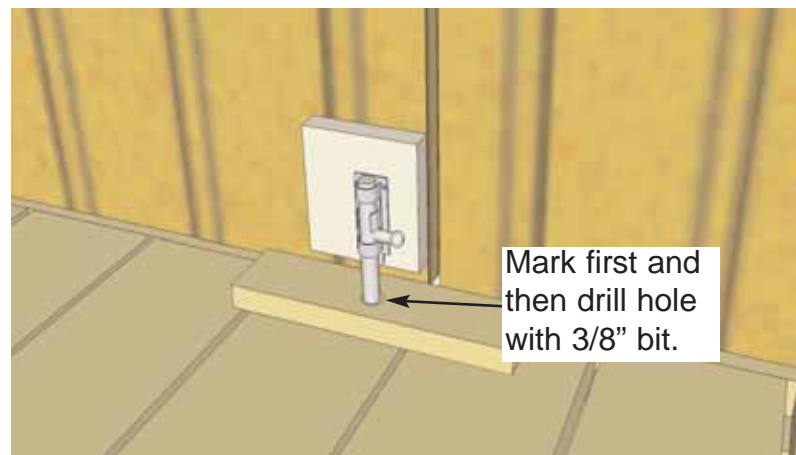
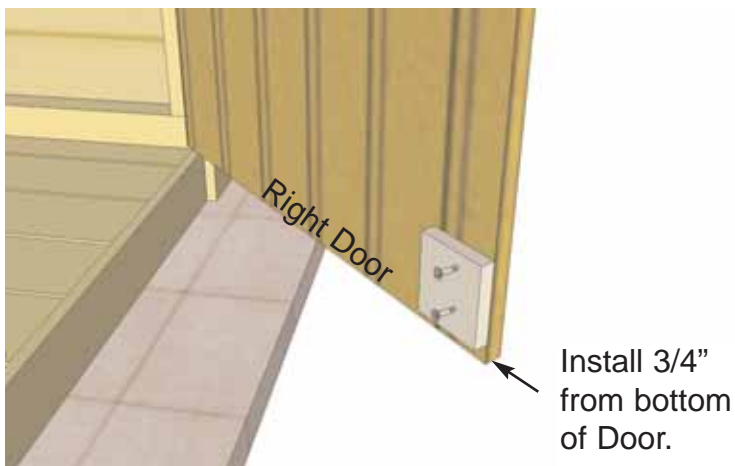
**39.** Secure Shelf to Shelf Supports with 4 - 1 1/4" screws. **Drill pilot holes to prevent wood from splitting.**



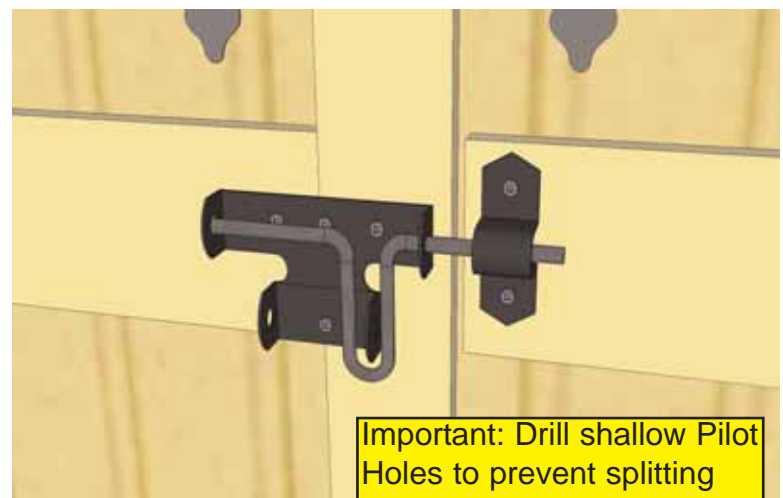
**40.** Complete positioning and attachment of 2nd Shelf as per **Step 38-39.**



**41.** Attach **Interior Door Stop** to Floor with 2 - 1 1/4" screws. To align correctly, close Doors in best close Door position. Mark and attach. Drill pilot holes to prevent splitting.



**42.** Install the **Barrel Bolt Plywood Spacer** 3/4" from bottom of the Right Door with 2 - 1" screws. Position the **Interior Silver Barrel Bolt** on the Plywood Spacer and use 3/4" Silver screws supplied in Hardware Package to attach. Tap barrel on Interior Door Stop to mark location. Open Door and Drill with a 3/8" bit.



**43.** Attach **Door Handles (DD)**. Handles are positioned on top section of each door and mounted with 3/4" Black Screws. Attach **Black Barrel Bolt (EE)** as illustrated above with 3/4" Black Screws. Note how female part of Barrel Bolt is positioned higher than male. Do a dry run first to position Barrel Bolt correctly. **Important** - Drill pilot holes with 1/8" drill bit prior to securing with screws to prevent wood splitting.

**Congratulations on building  
your 4x2 Garden Chalet!**



**Note;** Our Sheds are shipped as an unfinished product. If exposed to the elements, the western red cedar lumber will weather to a silvery-gray color. If you prefer to keep the cedar lumber looking closer to the original color, we suggest that you treat the wood with a good oil base wood stain. You may also wish to paint your new shed rather than stain it. In both cases we recommend that you consult with a paint and stain dealer in your area for their recommendations.

We hope your experience constructing our 4x2 **Garden Chalet** has been both positive and rewarding.

We value your feedback and would like to hear back from you on how well we are doing in the following areas:

1. **Customer Service**
2. **On Time Shipping**
3. **Freight Delivery**
4. **Quality of Materials**
5. **Assembly Manual**
6. **Overall Satisfaction.**

Please call, write or email us at:

**Outdoor Living Today Partnership**  
**P.O. Box 96**  
**Sumas, Washington**  
**98295**



The materials contained in this Assembly Manual may be downloaded or copied provided that ALL copies retain the copyright and any other proprietary notices contained on the materials. No material may be modified, edited or taken out of context such that its use creates a false or misleading statement or impression as to the positions, statements or actions.