



ATV Shelter

7' x 10' x 8'

SC071008JJ

ASSEMBLY & OPERATING INSTRUCTIONS



Due to continuing improvements, actual product may differ slightly from the product described herein.

Note: Illustrations within this manual are representative and may not be to scale.

105 Woodmont Rd., Milford, CT 06460

Visit our website at: <http://www.mdmselters.com>

**TO PREVENT SERIOUS INJURY, READ AND UNDERSTAND ALL
WARNINGS AND INSTRUCTIONS BEFORE CONSTRUCTION.**

Copyright © 2007 by MDM Products LLC[®]. All rights reserved. No portion of this manual or any artwork contained herein may be reproduced in any shape or form without the express written consent of MDM Products.

For technical questions and replacement parts please call 1-800-447-7079.

SPECIFICATIONS

External Dimensions	10' L x 7' W x 6' H
Roof Panel Dimensions	5' 10" L x 3' 1-1/2" W x 28 Gage Thick
Weight	208 lb.

Save This Manual

You will need this manual for the safety warnings and precautions, assembly, operating, inspection, maintenance and cleaning procedures, parts list and assembly diagram. Keep your invoice with this manual. Write the invoice number on the inside of the front cover. Write the product's serial number in the back of the manual near the assembly diagram, or write month and year of purchase if product has no number. Keep this manual and invoice in a safe and dry place for future reference.

SAFETY RULES



 **WARNING!**

**Read and understand ALL instructions
failure to follow all instructions listed below may result in
electric shock, fire, and/or serious injury.
SAVE THESE INSTRUCTIONS**

WARNING: When using tool, basic safety precautions should always be followed to reduce the risk of personal injury and damage to equipment.

Read all instructions before using this tool!

1. **Keep assembly area clean and well lit.** Cluttered and dark areas invite accidents.
2. **Stay alert.** Watch what you are doing and use common sense when operating tools and equipment. Do not assemble while tired or under the influence of drugs or alcohol. A moment of inattention while operating tools and equipment may result in serious personal injury.
3. **wear protective equipment.** Wear ANSI-approved safety impact goggles, heavy-duty work gloves, an ANSI-approved hard hat and steel-toed work boots when assembling.
4. **use the correct product for your application.** The correct product will do the job better and safer at the rate for which it is designed.
5. **check for any condition that may negatively affect the Shelter's operation.** If damaged, have the Shelter serviced before using.
6. **use only accessories that are recommended by the manufacturer for your model.** Accessories that may be suitable for one product may become hazardous when used on another product.

7. **Maintain labels and nameplates on the Shelter.** These carry important information. If unreadable or missing, contact MDM Products for a replacement.
8. **use the right product for the job.** There are certain applications for which this product was designed. Do not use small products to do the work of larger industrial products. Do not use this product for a purpose for which it was not intended.
9. **product service must be performed only by qualified service technician.** Service or maintenance performed by unqualified personnel could result in a risk of injury.
10. **when servicing the Shelter, use only identical replacement parts.** Follow instructions in the *“Inspection, Maintenance, And Cleaning”* section of this manual. Use of unauthorized parts or failure to follow maintenance instructions may create a risk of personal injury.
11. **do not allow children to play on or in the Shelter.** Keep children and all other bystanders away during assembly.
12. **do not assemble the Shelter in windy conditions.**
13. **properly secure the Shelter to a flat, dry, and level surface before use.**
14. **do not move an assembled Shelter.**
15. **do not sit or stand on top of the Shelter, and do not place anything on top of the Shelter.**
16. **Snow/debris accumulation hazard.** The heavy weight of accumulated snow or other debris can cause parts of this Shelter to buckle suddenly. Do not allow debris to accumulate on top of the Shelter. If snowfall is expected, place additional supports (not provided) underneath the roof. NEVER enter an Shelter with accumulated debris on top.
17.  **WARNING!** Ladders are inherently dangerous. If you are using a ladder to assemble this product, make sure to read and adhere to the safety warnings and instructions as recommended by the manufacturer/distributor of the ladder you are using.
18. **fasteners and hardware can work loose as the frame ages over time.** This is due to wind stresses and temperature changes. The Shelter’s frame strength will be compromised if fasteners and hardware are not tight. Periodically, make sure all fasteners and hardware are tight. Periodically check Tubes and Anchors to make sure the unit is structurally rigid.
19.  **WARNING!** The warnings and cautions discussed in this manual cannot cover all possible conditions and situations that may occur. It must be understood by the operator that common sense and caution are factors which cannot be built into this product, but must be supplied by the operator.

SAVE THESE INSTRUCTIONS.

UNPACKING

When unpacking, check to make sure that all parts listed below are included. If any parts are missing or broken, please call MDM Products at the number on the cover of this manual as soon as possible.

BOX A - 87549

part	description	Q'ty
1	Roof Panel	6

BOX B - 87548

part	description	Q'ty
2	Peak Tube	3
3	Rafter	6
4	Side Post	6
5	End Base Rails	4
6	Center Base Rails	2
7	Anchor Stakes	8
8	Screw	90
9	Edge Trim	1 roll
10	Foam Tape	1 roll

ASSEMBLY

WARNING!

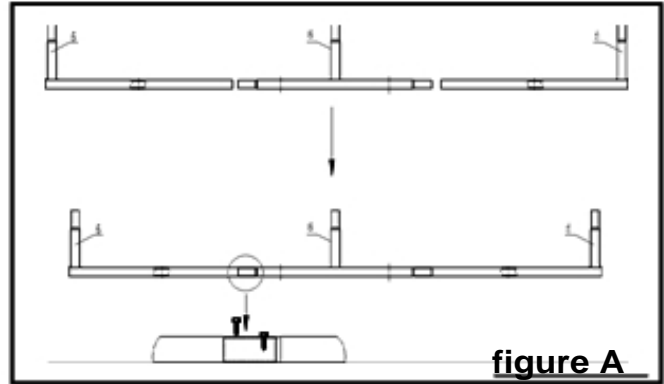
- Wear ANSI-approved safety impact goggles, heavy-duty work gloves, an ANSI-approved hard hat and steel-toed work boots when assembling.
- **Ladders are inherently dangerous.** If you are using a ladder to assemble this product, make sure to read and adhere to the safety warnings and instructions as recommended by the manufacturer/distributor of the ladder you are using.
- The Shelter must be supported by a proper to help prevent property damage and injury in the event of strong winds or inclement weather. Wind and ground conditions may vary from site to site, and may affect the practicality and effectiveness of anchoring methods substantially. If you have any doubt regarding the stability of the foundation you are to use, consult a professional. It is the customer's responsibility to properly anchor the Shelter. MDM Products cannot be held responsible for personal injury, damage to the Shelter, or other property damage that occurs as a result of improperly anchoring the Shelter.
- Check with local authorities to obtain all required building permits and to familiarize yourself with any building codes that may apply.

note: Many parts are assembled using the Screws (8). To properly install a screw, First mark the installation spot using a spring loaded punch (sold separately), to help the point dig into the metal. All screws should be installed near the center of the rails

Frame Assembly

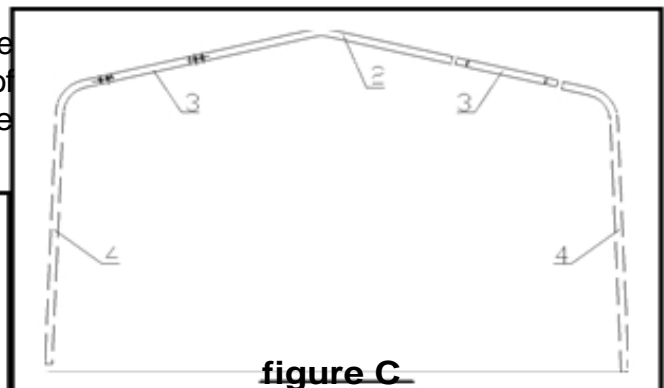
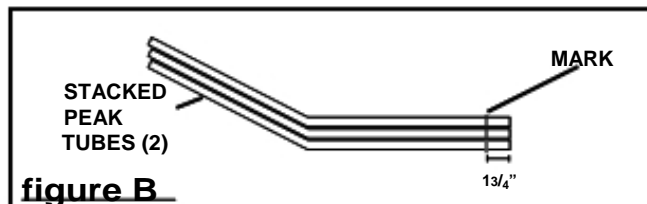
Assembling and positioning the End base and center base Rails:

1. Lay out the four End Base Rails (5) and two Center Base Rails (6) in the assembly area. (See figure A).
2. Slide the End Base Rails (5) and Center Base Rails (6) together firmly, but do not secure with screws yet.
3. Measure across the diagonal of the frame to check that it is square. Adjust the frame until the measurements are equal.
4. After you have completed all measurements and have the End Base (5) and Center Base (6) Rails in place and square, screw the joints together with two Screws (8) per joint on the top surface of the Base Rails. (See figure A.)



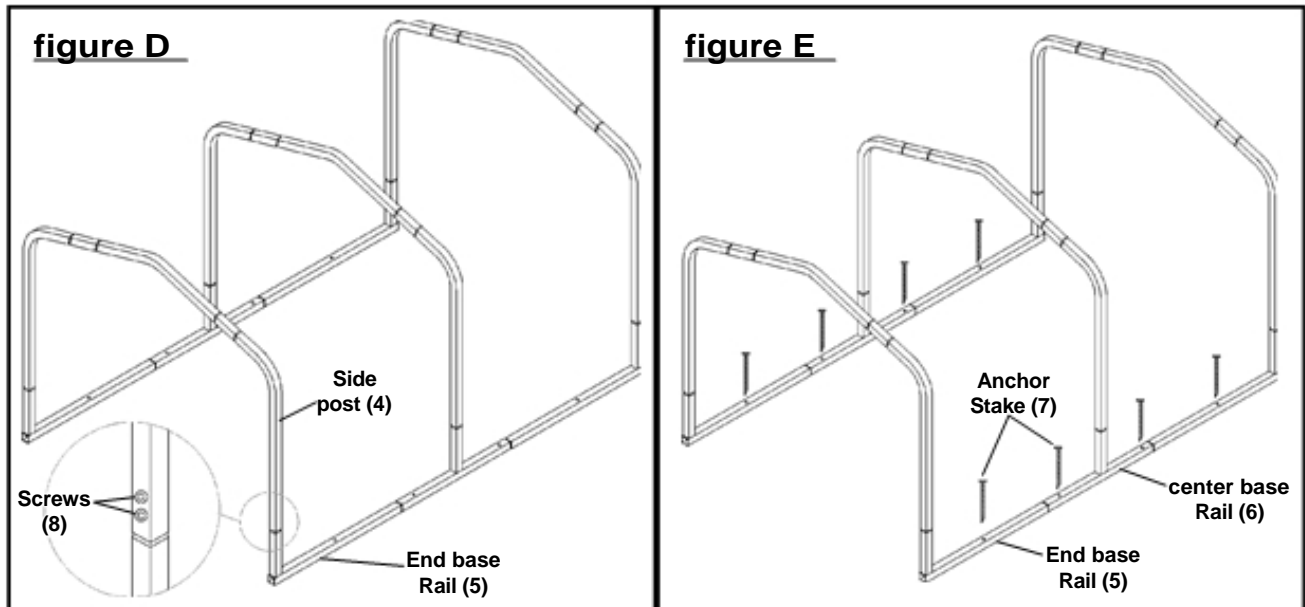
Assembling the Arches

1. Before assembling the arches, stack the Peak Tubes (2). Line up their ends and mark a line on the top of each Peak Tube 13/4" from one end. This will be the location of the edge of your first run of Roof Panels (1) on the roof of the Shelter. (See figure B.)



2. On the ground, assemble the Peak Tubes (2), Rafters (3), and Side Posts (4) as shown in figure c, above. Enough parts are supplied for 3 Arches.
3. Stack the three arches to ensure that they are all assembled completely and all connections are snug.
4. After all pieces are firmly together, secure the connections using two Screws (8) per connection.

- Place the bottom of the Side Posts (4) on the Base Rail (5, 6) pins and drop the Side Posts onto the pins. (See figure d.)



- Make sure that the arches are completely seated down on the Base Rails. Then secure the Side Posts to the pins, using the Screws (8).

Anchoring the base

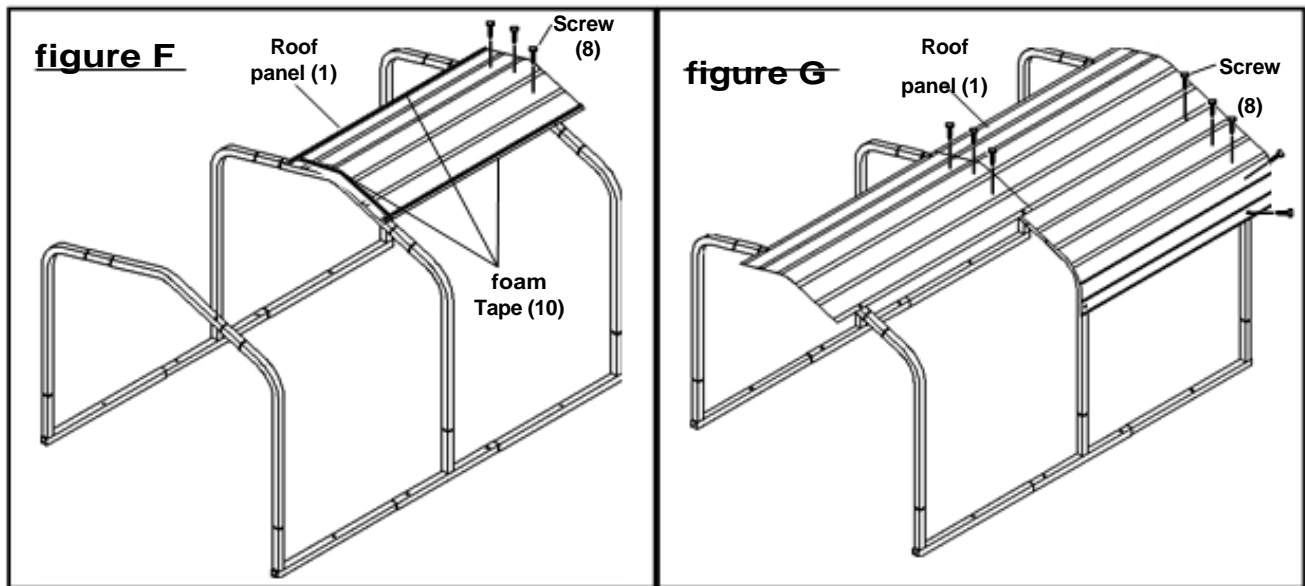
⚠WARNING

- Before anchoring, verify that the ground where the Stakes are to be installed is free of any underground utility lines.
- Securing methods will vary drastically depending on the type of foundation used. If in doubt about the stability or practicality of a particular method, consult a professional.

To secure the Base to a patch of level ground, drive the Anchor Stakes (7) into the ground securely, as shown in **figure E**.

installing the Roof panels

- Place the first Panel (1) on the roof with the lower edge of the Panel lined up with the previously placed marks on the Peak Tubes (2) and the end of the Panel overhanging the end of the building 8".



2. With the Panel (1) lined up with the marks, attach the panel to the first frame section, using the Screws (8) in three places in the center of the end side, as shown in **figure f**. Do not add screws along the edges yet, until the panels next to it are in place.
3. Run strips of Tape (10) across the edges of the panel, where other panels will join to it.
4. Slide the lower Panel (1) under the edges of the Panel above. Make sure the lower Panel is square with the Panel above, then install Screws (8) on all edges where another panel will not connect, as shown in **figure g**.
5. Remember to seal each two Panel connection using Tape (10).
6. Install all panels in a similar fashion, securing all parts with screws. Install the panels from the peak down.
7. When finished installing the Panels (1), run a length of Edge Trim (9) along all exposed edges of the roof panels. Install the Trim with its longer edge on top/outside and its short edge on bottom/inside.

INSPECTION, MAINTENANCE, AND CLEANING

CAUTION!

- If any problems are discovered during inspection, discontinue use and promptly have the problems remedied. **do not use damaged equipment.**
 - Wear ANSI-approved safety impact goggles and heavy work gloves before performing any inspection, maintenance, or cleaning of the Shelter.
 - All maintenance, service, and repairs not discussed in this manual should only be performed by a qualified service technician.
1. **before each use:** Inspect the general condition of the Shelter. Check for damaged parts, loose hardware, and any other condition that may affect this product's safe operation. If a problem is noted, have the problem corrected before further use.
 2. **To clean:** Use a clean, soft, damp cloth, mild detergent, and garden hose. Then, allow to air-dry. Do not use solvents.

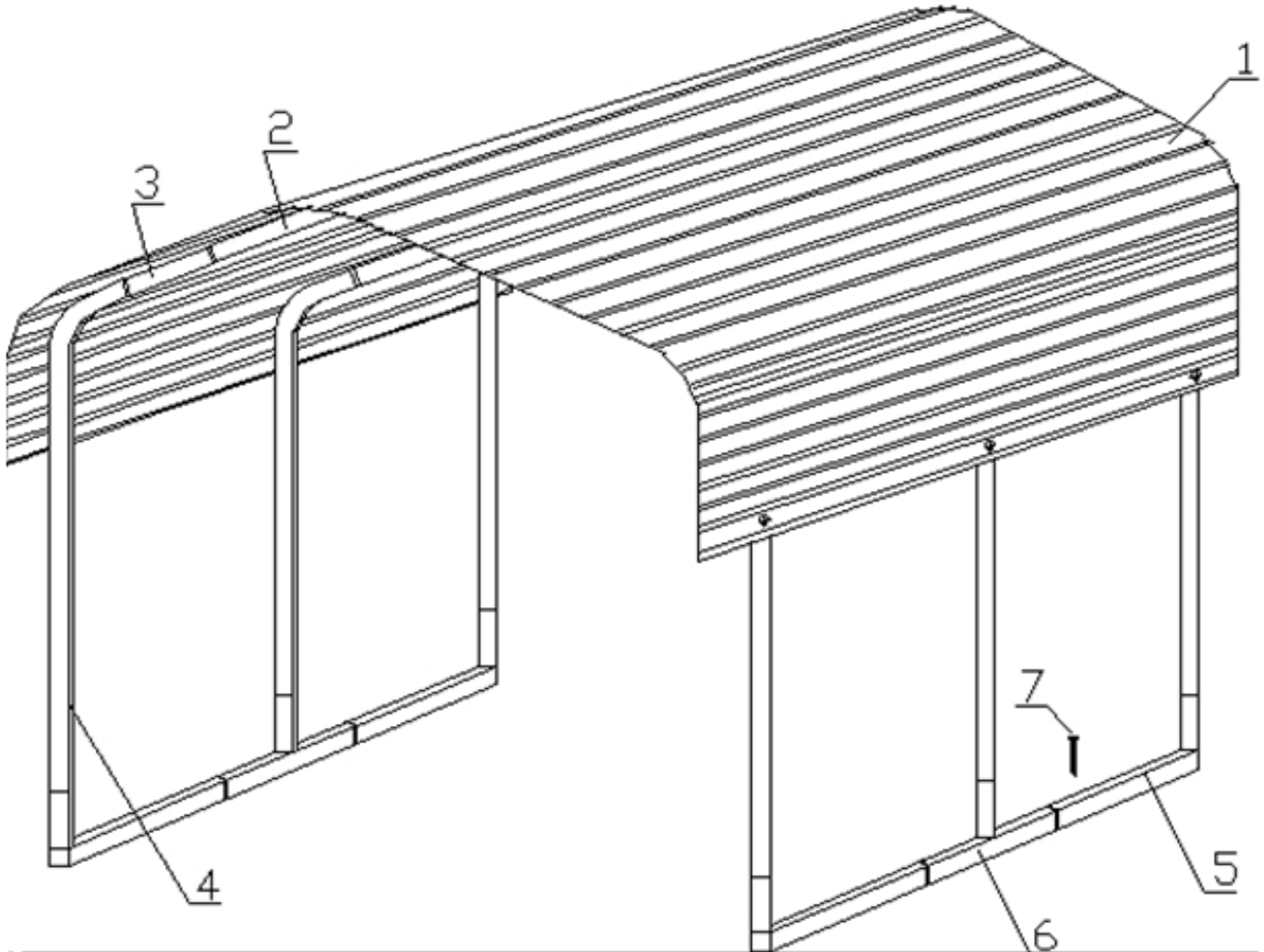
PARTS LIST

part	description	Q'ty
1	Panel	6
2	Peak Tube	3
3	Rafter	6
4	Side Post	6
5	End Base Rail	4
6	Center Base Rail	2
7	Anchor Stake	8
8	Screw	90
9	Edge Trim	1 roll
10	Foam Tape	1 roll

PLEASE READ THE FOLLOWING CAREFULLY

THE MANUFACTURER AND/OR DISTRIBUTOR HAS PROVIDED THE PARTS LIST AND ASSEMBLY DIAGRAM IN THIS MANUAL AS A REFERENCE TOOL ONLY. NEITHER THE MANUFACTURER OR DISTRIBUTOR MAKES ANY REPRESENTATION OR WARRANTY OF ANY KIND TO THE BUYER THAT HE OR SHE IS QUALIFIED TO MAKE ANY REPAIRS TO THE PRODUCT, OR THAT HE OR SHE IS QUALIFIED TO REPLACE ANY PARTS OF THE PRODUCT. IN FACT, THE MANUFACTURER AND/OR DISTRIBUTOR EXPRESSLY STATES THAT ALL REPAIRS AND PARTS REPLACEMENTS SHOULD BE UNDERTAKEN BY CERTIFIED AND LICENSED TECHNICIANS, AND NOT BY THE BUYER. THE BUYER ASSUMES ALL RISK AND LIABILITY ARISING OUT OF HIS OR HER REPAIRS TO THE ORIGINAL PRODUCT OR REPLACEMENT PARTS THERETO, OR ARISING OUT OF HIS OR HER INSTALLATION OF REPLACEMENT PARTS THERETO.

ASSEMBLY DIAGRAM



note: Parts 8-10, not shown.

Record product's Serial number Here: _____

note: If product has no serial number, record month and year of purchase instead.

note: Some parts are listed and shown for illustration purposes only, and are not available individually as replacement parts.